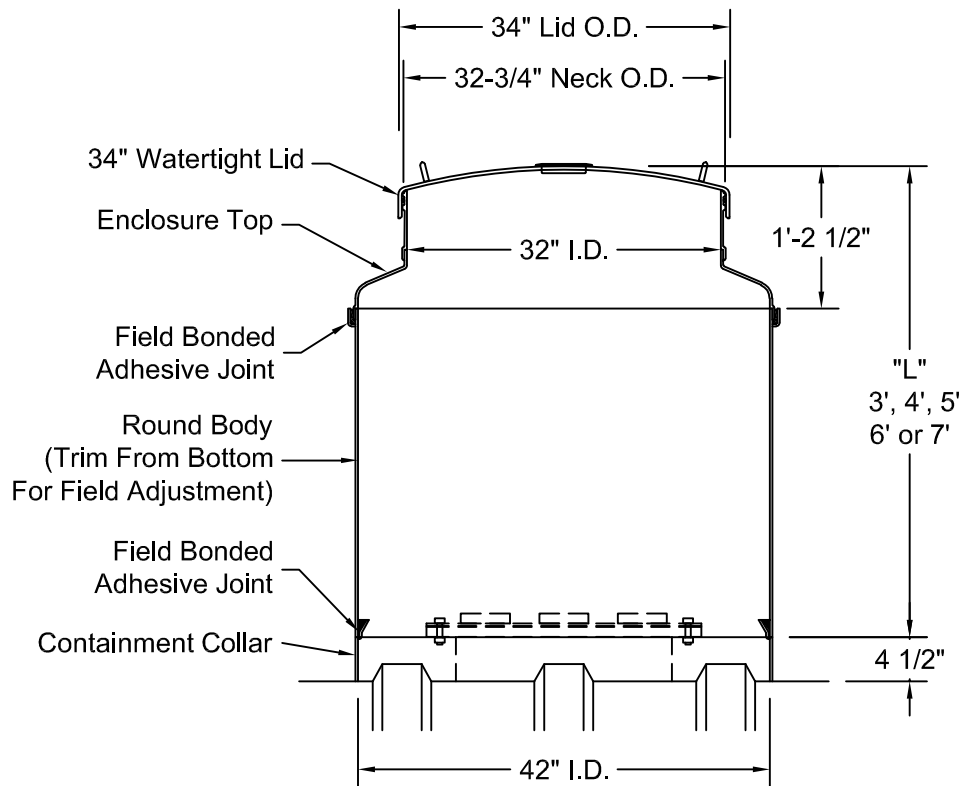
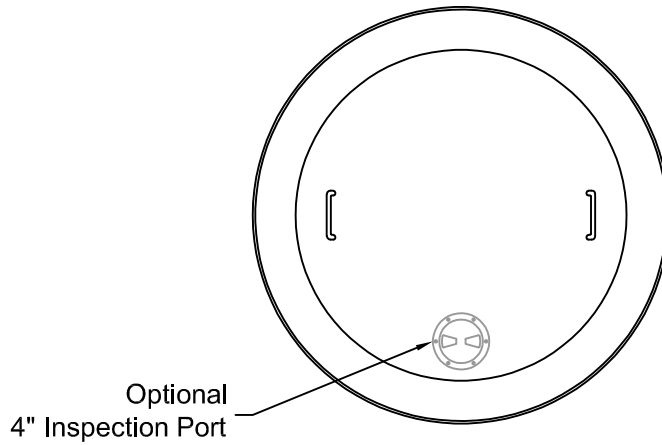


SINGLE-WALL ROUND TANK SUMP

MODEL SW RTS (WT34) 42

(Turbine Sump)



Approval Signature:	_____
Approval Date:	_____
Project Name:	_____
P.O Number:	_____
Qty Req'd:	_____
Round Body Length:	_____