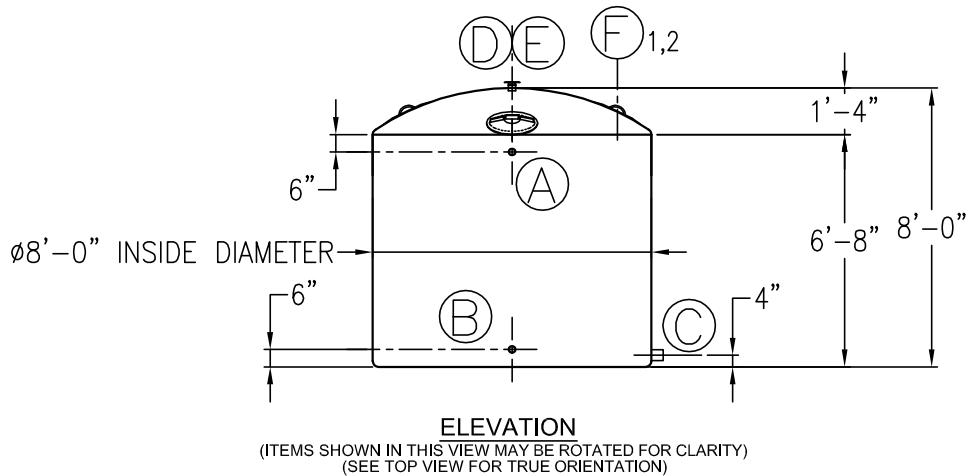
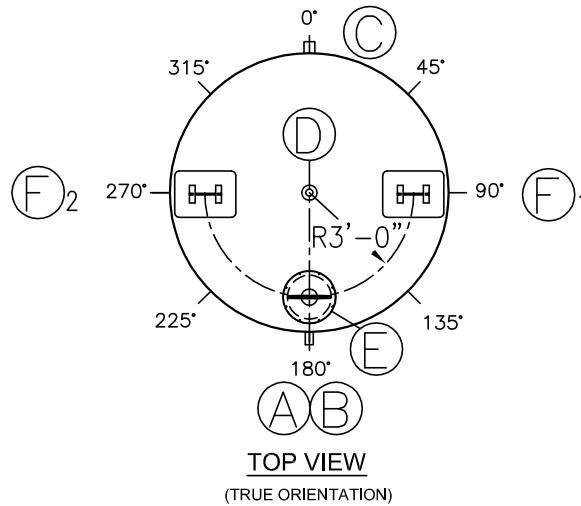


Fiberglass Aboveground Water Storage Tank Model RWH AGT (8') 2,500



SCHEDULE OF FITTINGS AND ACCESSORIES

MARK	QTY.	SIZE	TYPE	DESCRIPTION	REMARKS
(A)	1	ø2"	FRP	FNP THREADED HALF COUPLING	FILL-LINE CONNECTION
(B)	1	ø2"	FRP	FNP THREADED HALF COUPLING	FILL-LINE CONNECTION
(C)	1	ø3"	FRP	FNP THREADED HALF COUPLING	DRAIN-LINE CONNECTION
(D)	1	ø2"	POLY	SCREW ON TOP POLY VENT	VENT
(E)	1	ø18"	POLY	SCREWED ON TOP MANWAY	INSPECTION
(F)	2	STD	STL	LIFTING LUG	ZINC-PLATED
(G)					
(H)					
(I)					

Available Finishes (Choose One)

- Desert Sand Premium Finish
- Forest Green Premium Finish



CONTAINMENT
SOLUTIONS®

PROJECT NAME/LOCATION:

8'-0"Ø x 8'-0" 2,500 GALLONS

DATE:

1/1/2014

APPROVAL SIGNATURE:

SIGNATURE DATE:

DRAWN BY:

R.MOEN

REV #:

REV DATE:

REV BY:

DWG NUMBER:

RWH AGT(96)-2500.DWG