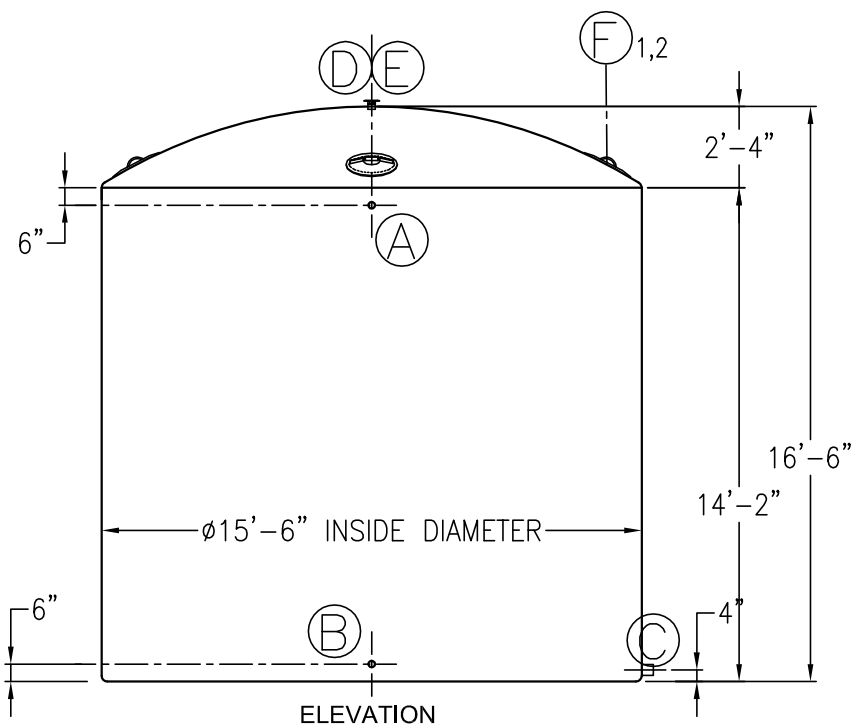
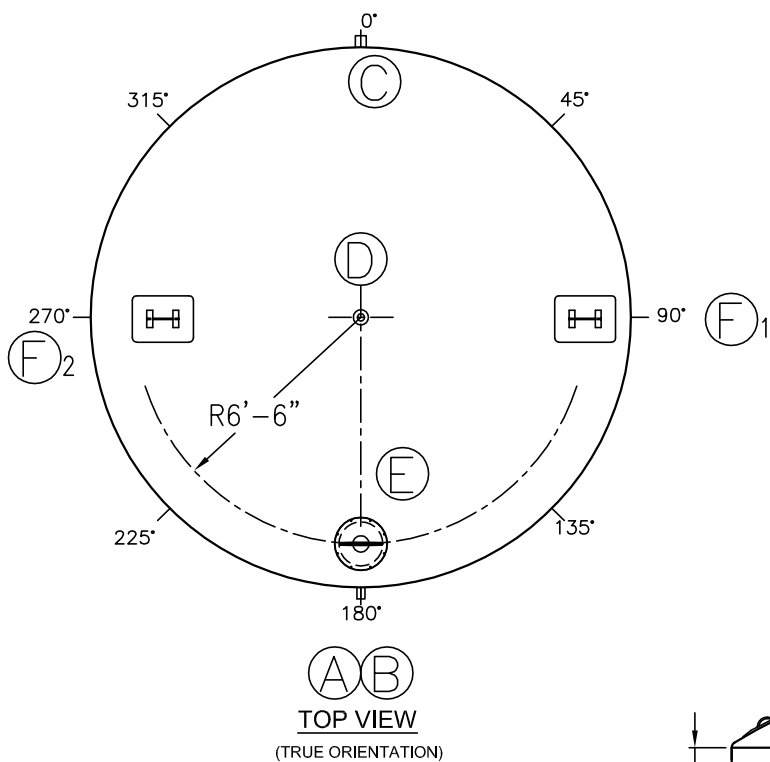


Fiberglass Aboveground Water Storage Tank Model RWH AGT (15'-6") 20,000



SCHEDULE OF FITTINGS AND ACCESSORIES

| MARK | QTY. | SIZE | TYPE | DESCRIPTION | REMARKS |
|------|------|------|------|----------------------------|-----------------------|
| (A) | 1 | ø2" | FRP | FNP THREADED HALF COUPLING | FILL-LINE CONNECTION |
| (B) | 1 | ø2" | FRP | FNP THREADED HALF COUPLING | FILL-LINE CONNECTION |
| (C) | 1 | ø3" | FRP | FNP THREADED HALF COUPLING | DRAIN-LINE CONNECTION |
| (D) | 1 | ø2" | POLY | SCREW ON TOP POLY VENT | VENT |
| (E) | 1 | ø18" | POLY | SCREWED ON TOP MANWAY | INSPECTION |
| (F) | 2 | STD | STL | LIFTING LUG | ZINC-PLATED |
| (G) | | | | | |
| (H) | | | | | |
| (I) | | | | | |

Available Finishes (Choose One)

- Desert Sand Premium Finish
- Forest Green Premium Finish



**CONTAINMENT
SOLUTIONS®**

PROJECT NAME/LOCATION:

15'-6"Ø x 16'-6" 20,000 GALLONS

DATE:

1/1/2014

APPROVAL SIGNATURE:

SIGNATURE DATE:

DRAWN BY:

R.MOEN

REV #:

REV DATE:

REV BY:

DWG NUMBER:

RWH AGT(186)-20000.DWG