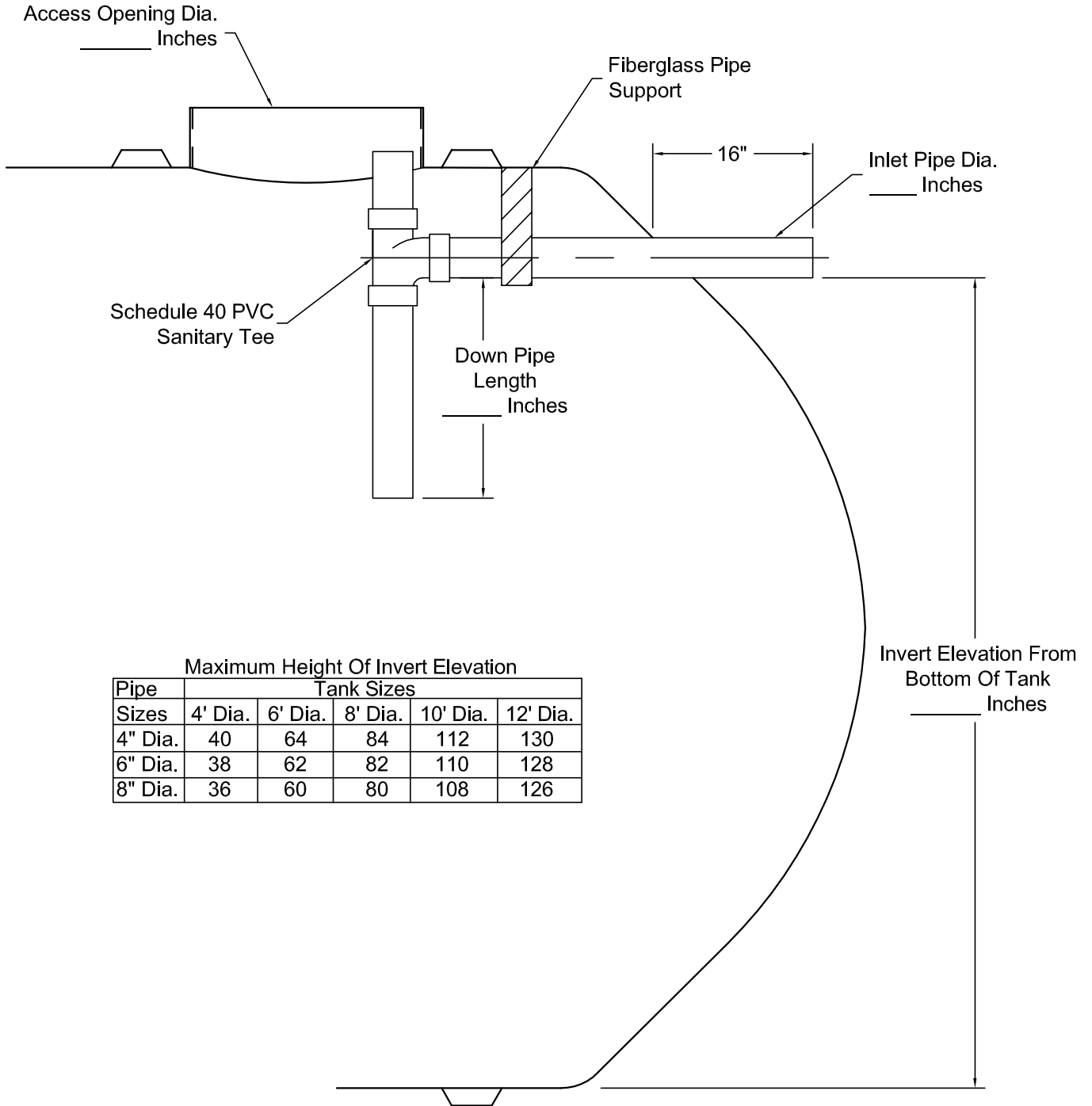


# Outlet Stub-out With Sanitary Tee

(Through Access Opening)



Maximum Height Of Invert Elevation

Pipe Sizes	Tank Sizes				
	4' Dia.	6' Dia.	8' Dia.	10' Dia.	12' Dia.
4" Dia.	40	64	84	112	130
6" Dia.	38	62	82	110	128
8" Dia.	36	60	80	108	126



**CONTAINMENT**  
SOLUTIONS<sub>®</sub>