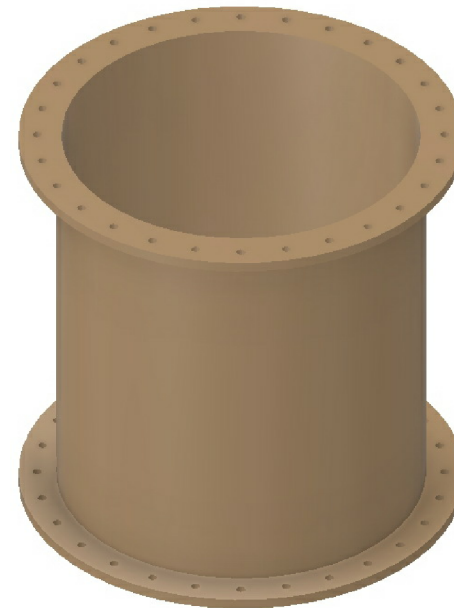
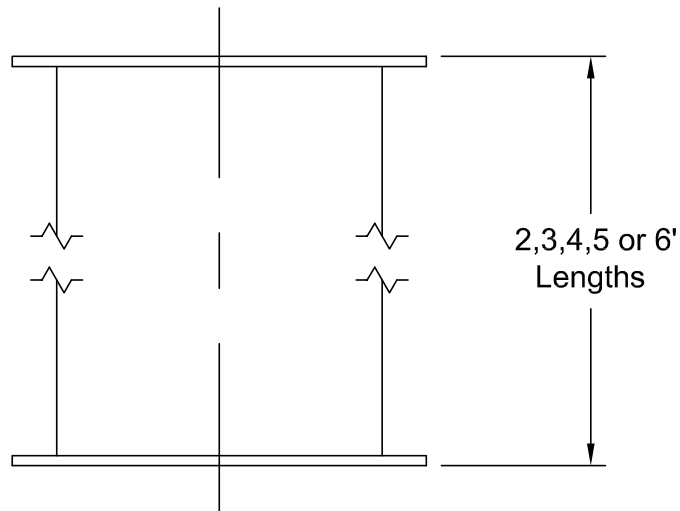
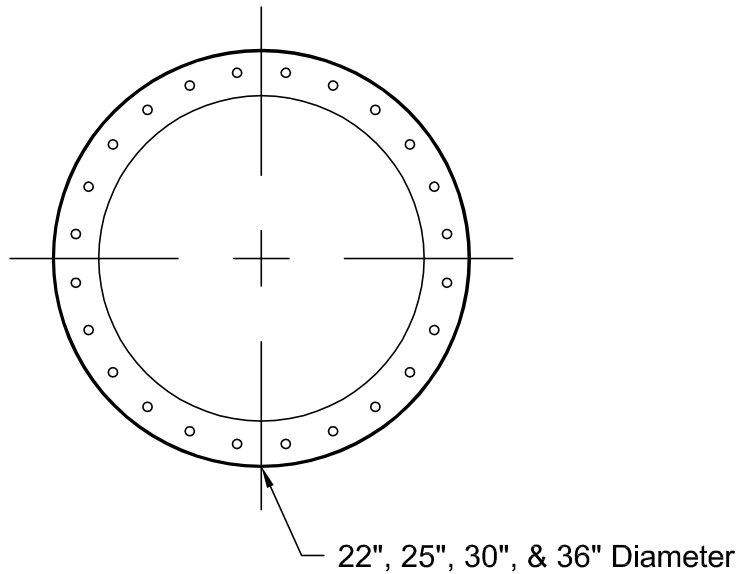


# Fiberglass Manway Extension



- 22" Manway Extension = (24) 5/8" dia. Bolt Holes on a 25 5/16" Bolt Hole Circle
- 25" Manway Extension = (28) 5/8" dia. Bolt Holes on a 28 3/8" Bolt Hole Circle
- 30" Manway Extension = (30) 11/16" dia. Bolt Holes on a 35 5/8" Bolt Hole Circle
- 36" Manway Extension = (32) 5/8" dia. Bolt Holes on a 42 3/4" Bolt Hole Circle