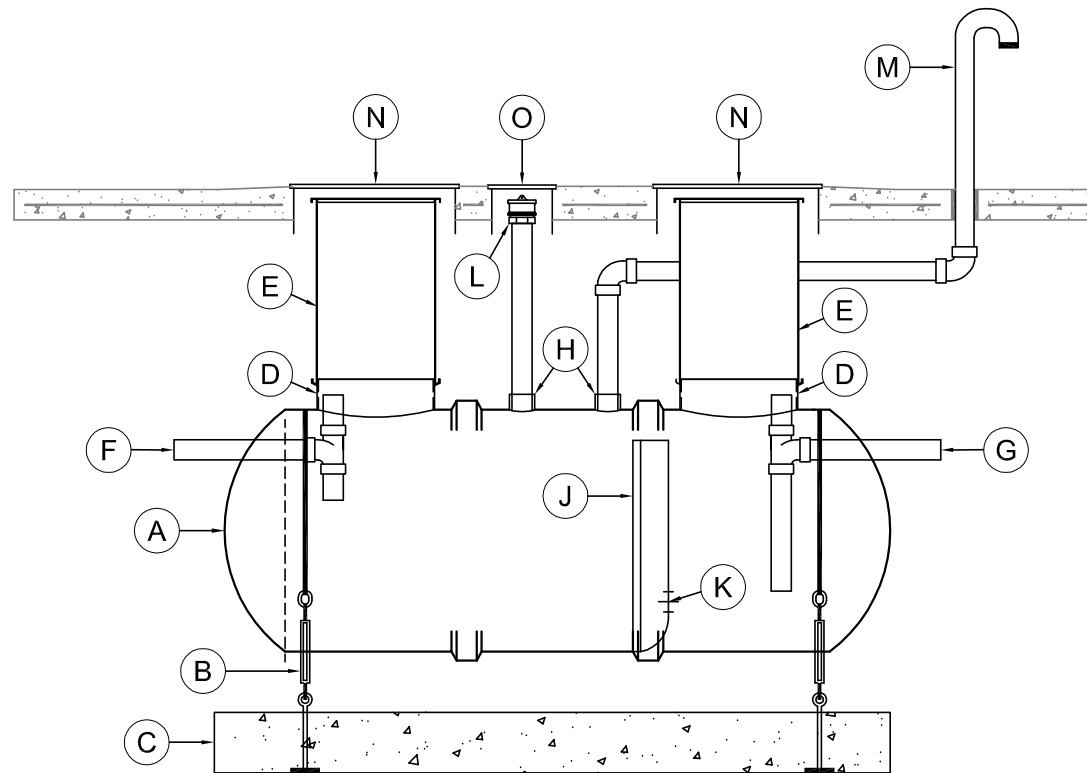


MARK	EQUIPMENT LISTING AND SUPPLIER	CSI	CUSTOMER	MARK	EQUIPMENT LISTING AND SUPPLIER	CSI	CUSTOMER
A	C.S.I. SINGLE WALL FIBERGLASS TANK	X		H	4" NPT FITTING (CLEAN-OUT & TANK VENT)	X	
B	C.S.I. FRP HOLD DOWN STRAP & TURNBUCKLE ASSEMBLY	X		J	7/8" HEIGHT COMPARTMENT Baffle	X	
C	C.S.I. PRECAST DEADMAN ANCHOR WITH EYEBOLTS	X		K	(2) 4" TRANSFER FLOW HOLES	X	
D	23.5" FIBERGLASS COLLAR WITH TANK ACCESS OPENING	X		L	GREASE CLEAN-OUT RISER w/ CAP		X
E	24" FRP RISER WITH COVER	X		M	ABOVEGRADE VENT w/ SCREEN		X
F	4" PVC INLET PIPING WITH SANITARY TEE	X		N	36" ACCESS MANHOLE w/ COVER		X
G	4" PVC OUTLET PIPING WITH SANITARY TEE	X		O	12" ACCESS MANHOLE w/ COVER		X



THIS DRAWING IS FOR ILLUSTRATIVE PURPOSES ONLY. IT IS THE RESPONSIBILITY OF THE PURCHASER AND/OR ENGINEER TO DESIGN A SYSTEM IN COMPLIANCE WITH ALL GOVERNING MUNICIPAL CODES.

TYPICAL ILLUSTRATION DRAWING SMALL COMMERCIAL GREASE INTERCEPTOR

