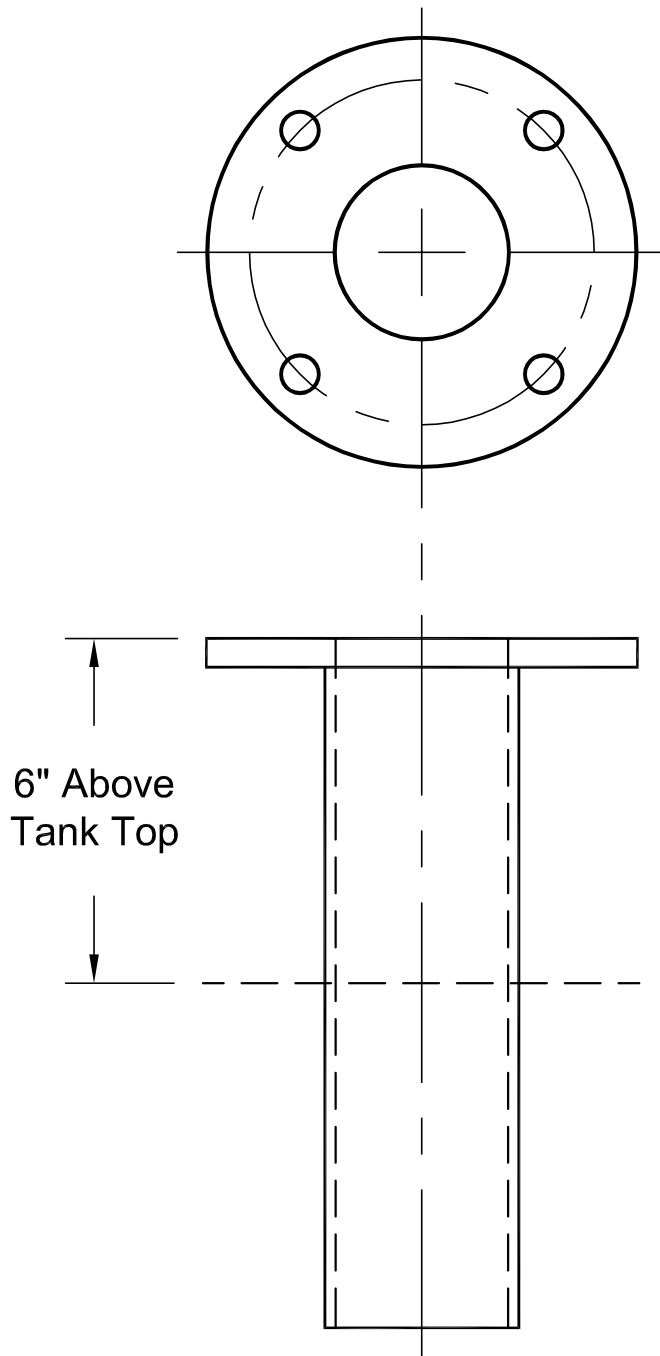


## 3" Flanged Nozzle



Flange Material - Fiberglass

Nozzle Material - Fiberglass

Flange Thickness - 1/2"

Flange O.D. - 7 1/2"

Bolt Hole Diameter - 3/4"

Bolt Circle Diameter - 6"

Number of Bolt Holes - 4

Pipe Stub Thickness - 3/16"

Pipe Stub Length - 12" typ.

Flanges are Flat Face

\* Hardware, Gasket and Blind Flange not Included

\*5/8" Nuts, Bolts and Washers Required

Notes:

Flange dimensions per ASME B16.5 for 150 lb flanges.

Flange and pipe wall thicknesses per ASTM D3299.

Tank Mounted Nozzles are Installed with Gussets



**CONTAINMENT**  
SOLUTIONS<sup>®</sup>

FLGNOZ-3.DWG 9/2017