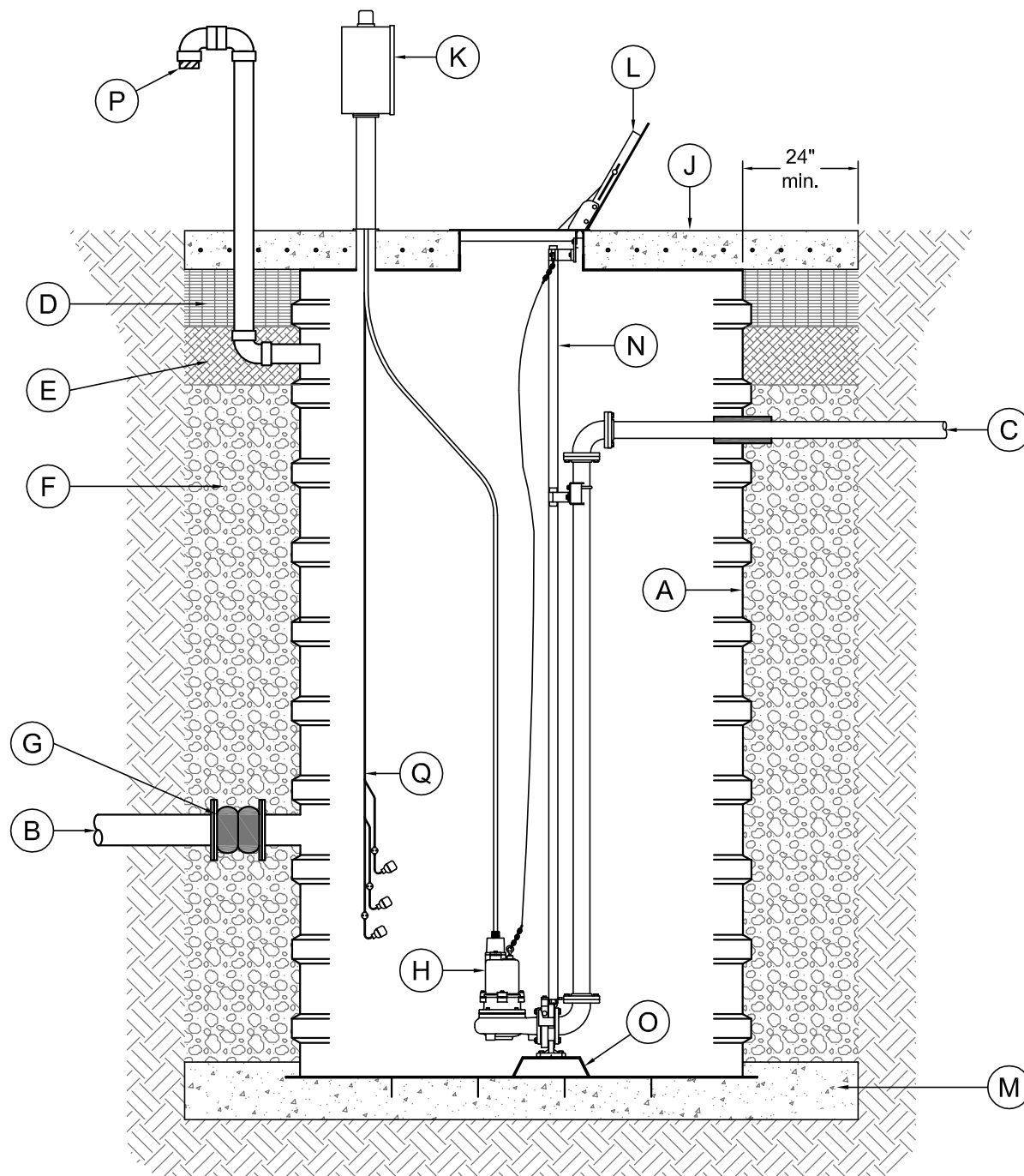


MARK	EQUIPMENT LISTING AND SUPPLIER	CSI	OTHER	MARK	EQUIPMENT LISTING AND SUPPLIER	CSI	OTHER
A	C.S.I. SW FIBERGLASS WATER BASIN	X		J	REINFORCED CONCRETE PAD (per EOR DESIGN)		X
B	BASIN INLET FROM TANK or DRAIN	X		K	WEATHERPROOF PUMP CONTROL PANEL		X
C	BASIN OUTLET FROM PUMP	X		L	HATCH COVER ASSEMBLY		X
D	12" BASE - SOIL CEMENT MIX (100 PSI)		X	M	REINFORCED CONCRETE SLAB (see MAN 4004)		X
E	12" COMPACTED SUBBASE (per EOR DESIGN)		X	N	PUMP ACCESS RAIL SYSTEM		X
F	APPROVED BACKFILL (see MAN 4004)		X	O	FIBERGLASS PUMP PLATFORM (400# MAX.)	X	
G	FLEXIBLE CONNECTOR COUPLING		X	P	ABOVEGRADE VENT w/BUG SCREEN		X
H	SUBMERSIBLE PUMP (SINGLE or DUAL)		X	Q	PUMP CONTROL FLOATS		X



THIS DRAWING IS FOR ILLUSTRATIVE PURPOSES ONLY. IT IS THE RESPONSIBILITY OF THE PURCHASER AND/OR ENGINEER TO DESIGN A SYSTEM IN COMPLIANCE WITH ALL GOVERNING MUNICIPAL CODES.

## TYPICAL ILLUSTRATION DRAWING WATER BASIN PUMP SYSTEM



**CONTAINMENT  
SOLUTIONS**