

FLOWTITE PRODUCTS

SEPTIC / WASTE WATER

NOTE: CUSTOMER SUPPLIED
"ASTM C-1644" APPROVED
FLEXIBLE PIPING COUPLING
REQUIRED ON TANGENTIALLY
MTD. NOZZLES, & PIPES

SHELL CODES: 2-E6S09SD

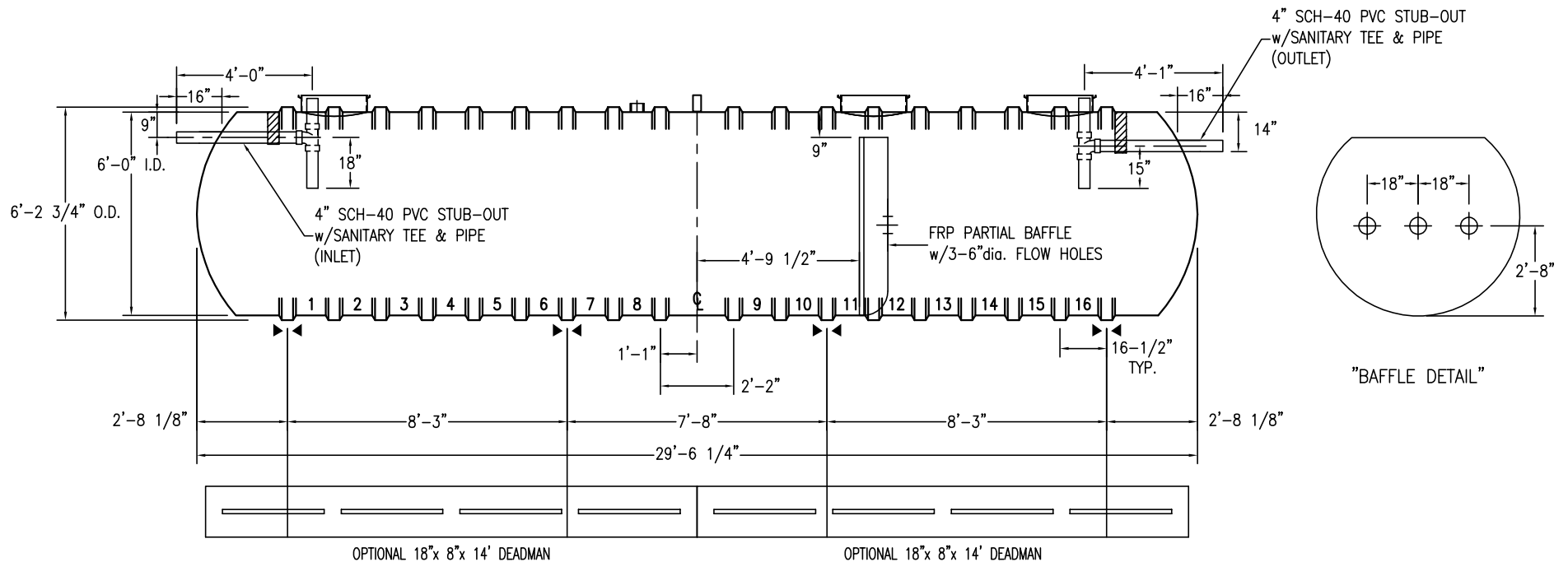


THIS IS AN IAPMO APPROVED TANK
THE ONLY CHANGE ALLOWED TO
THIS TANK IS TO INCREASE THE
INLET AND OUTLET PIPE DIAMETER.
MFG. PER. PE-C22.85

CAPACITIES:
LIQUID VOLUME BELOW OUTLET = 5,225 GALS
AIR VOLUME ABOVE OUTLET = 813 GALS

(24") 23-1/2" O.D. FRP ACCESS COLLAR
w/ADHESIVE CHANNEL &
22 1/2" TANK TOP CUT-OUT (3 TYP.)

4" NPT FTG.



NOTES:

- ☒ HOLD DOWN STRAP CLIP
- ▶◀ HOLD DOWN STRAP LOCATION
- TYPE "13" LIFT LUG - SD
- TYPE "13" LIFT LUG - HD

SWT D-6 (6')-6000		DATE:	1/1/2014
IAPMO SEPTIC TANK		DRAWN BY:	J.HARMON
CONTAINMENT SOLUTIONS	CAPACITY:	6,038	
	WEIGHT: DRY/WET	2300	
		REVISED:	
		DWG NUMBER:	66MSW-IS