

FLOWTITE PRODUCTS
GREASE INTERCEPTOR

NOTE: CUSTOMER SUPPLIED
 "ASTM C-1644" APPROVED
 FLEXIBLE PIPING COUPLING
 REQUIRED ON TANGENTIALLY
 MTD. NOZZLES, & PIPES

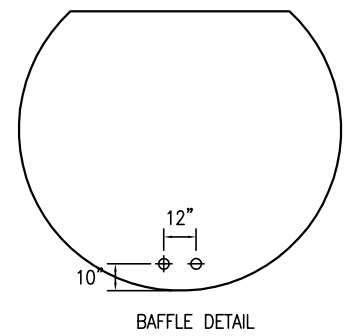
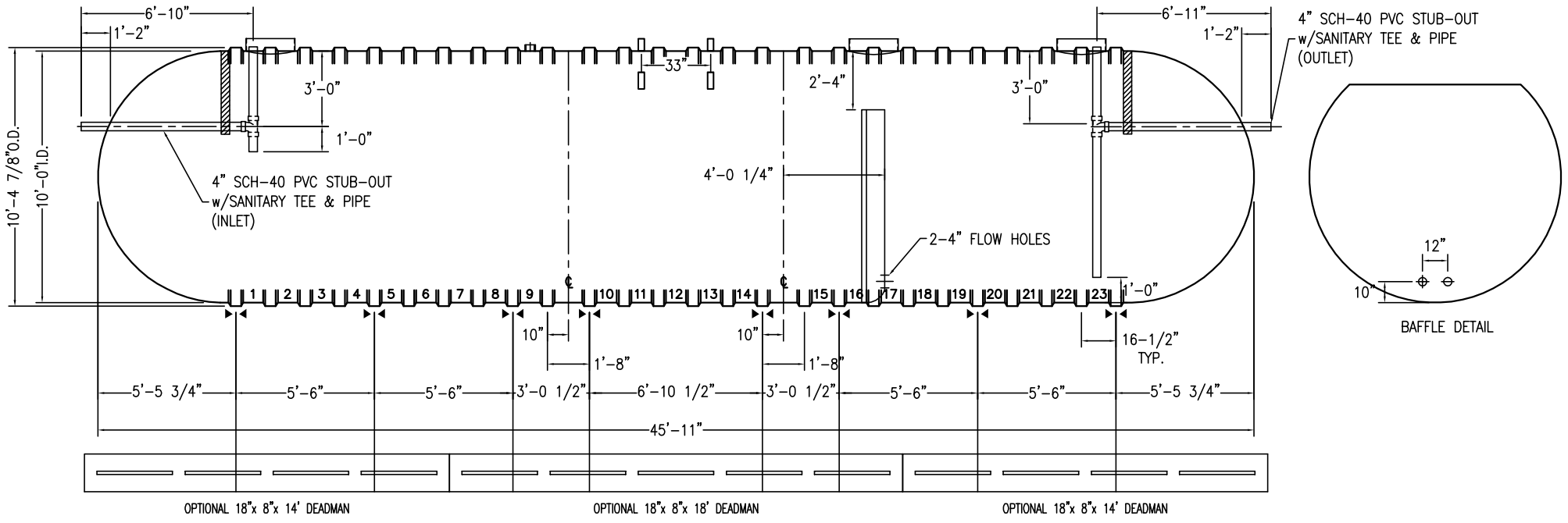
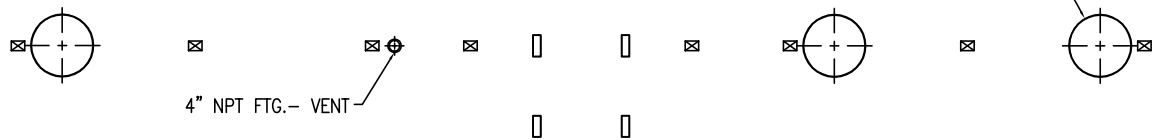
SHELL CODES: 2-EXS10SD, 1-OXS06SD



THIS IS AN IAPMO APPROVED TANK
 COMPLIANCE STANDARDS AND CODES:
 IAPMO/ANSI Z1001
 UNIFORM PLUMBING CODE (UPC)
 INTERNATIONAL PLUMBING CODE (IPC)
 MFG. PER PE-C22.85

CAPACITIES:
 LIQUID OPERATING CAPACITY = 18237 GALS
 FREE SURFACE AREA OF LIQUID = 406 SQ/FT
 GREASE/FOG STORAGE = 9965 GALS/75734 LBS

24" (23.5"O.D.) ACCESS COLLAR
 w/ADHESIVE CHANNEL &
 22 1/2" TANK TOP CUT-OUT
 (3 TYP.)



- NOTES:**
- ☒ HOLD DOWN STRAP CLIP
 - ▶◀ HOLD DOWN STRAP LOCATION
 - TYPE "13" LIFT LUG - SD
 - TYPE "13" LIFT LUG - HD

SWT D6 (10') 18000 2B-IG		DATE:	1/1/2014
IAPMO GREASE INTERCEPTOR		DRAWN BY:	R.MOEN
CONTAINMENT SOLUTIONS	CAPACITY:	REVISION:	02/01/17-A
	WEIGHT: DRY/WET	DWG NUMBER:	1018MSW-IG
	7800		