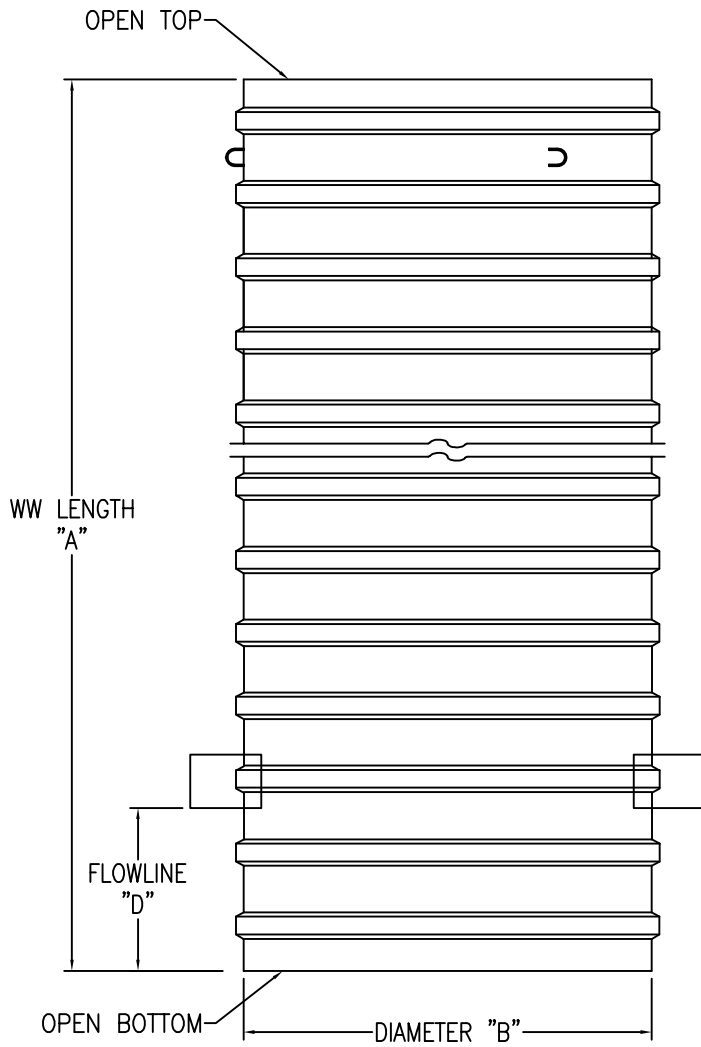
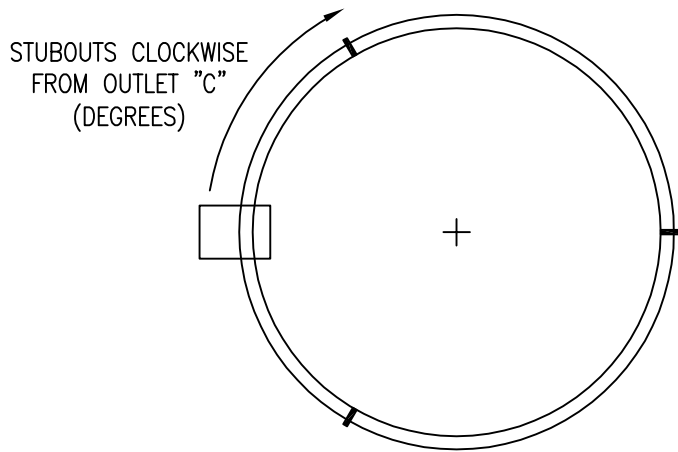


# STANDARD FIBERGLASS WETWELL

w/OPEN TOP & BOTTOM



JOB NAME				
WW #	LENGTH (FT) "A"	WW DIAMETER "B"		
DEGREES CLOCKWISE FROM OUTLET "C"	FLOW LINE DISTANCE FROM BOTTOM "D"	PIPE SIZE (DIA.)	PIPE TYPE	STUBOUT TYPE (BELL, SPIGOT, BOOT ETC.)



**CONTAINMENT SOLUTIONS**

WW-OPENOPEN 1/1/2015