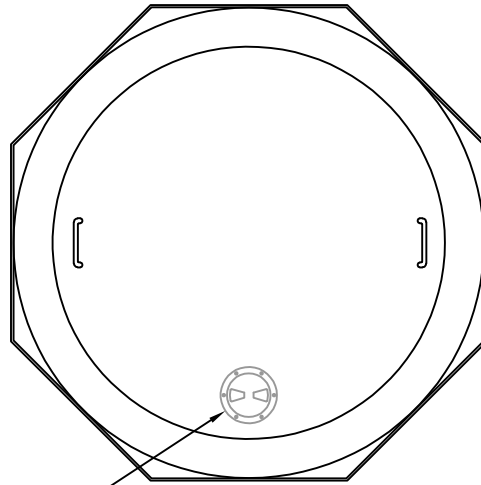


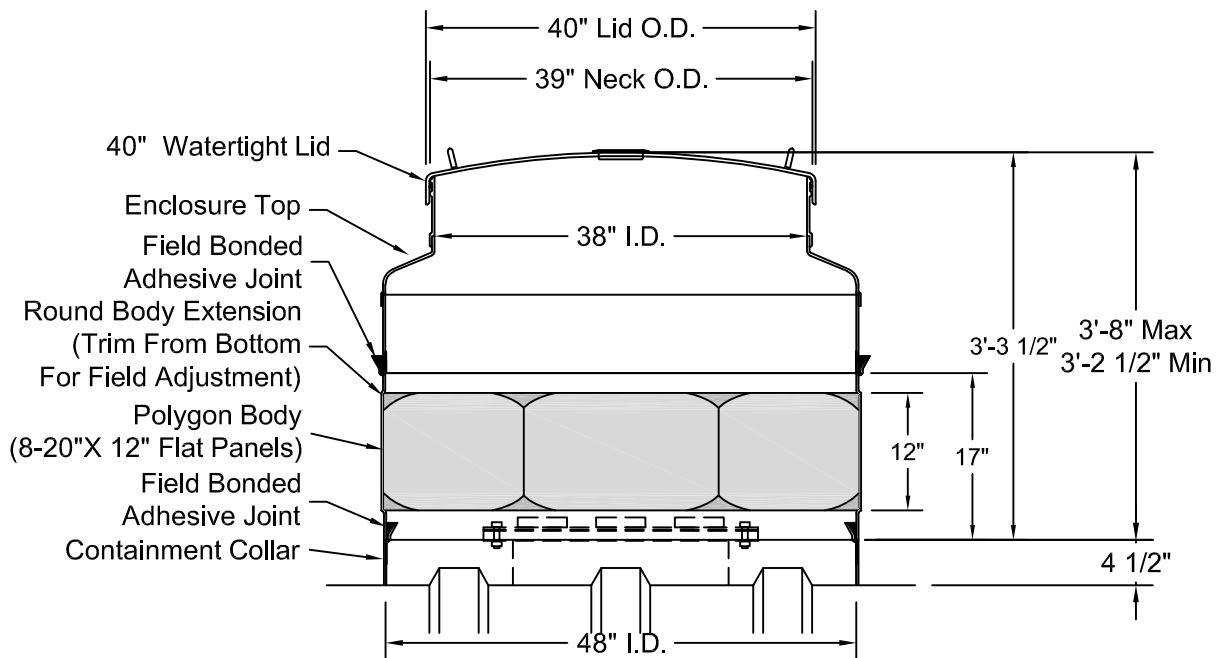
SINGLE-WALL POLYGON SUMP

MODEL SW PTS (WT40) 48/8SBS

(Shot Bury Watertight Turbine Sump)



Optional 4" Inspection Port



Approval Signature: _____
Approval Date: _____
Project Name: _____
P.O Number: _____
Qty Req'd: _____
Body Ext Length: _____



CONTAINMENT SOLUTIONS

SW PTS (WT40) 48_8SBS.DWG
2/2017