

*As Easy As 1, 2, 3.....
Without Breaking Concrete*

TANK SUMP FIELD UPGRADES

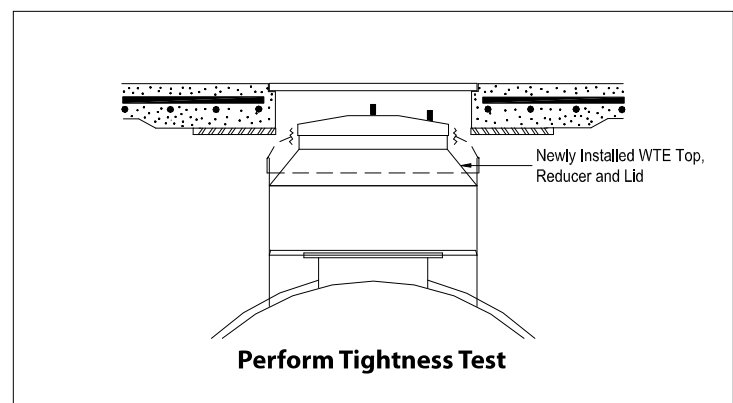
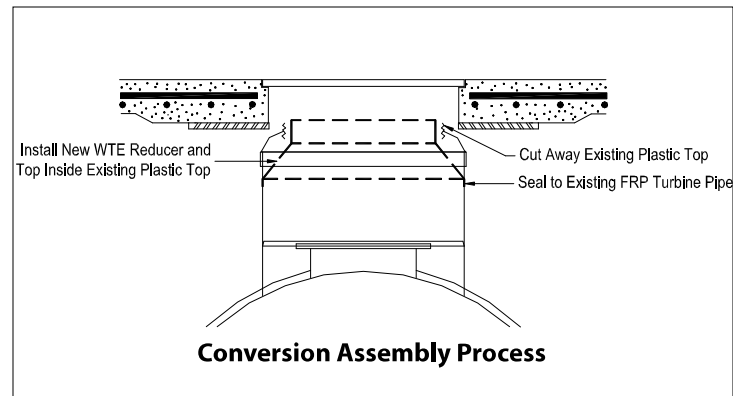
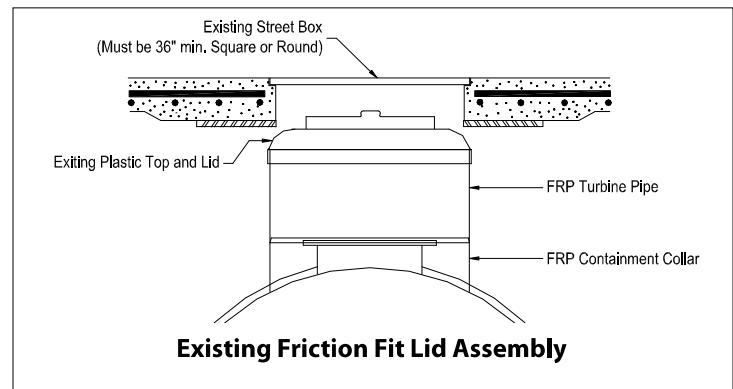
Recent UST regulations require all components of the UST system to be "product tight" and be periodically tested for tightness. Recent studies funded by the state of California determined between 25% and 50% of underground tank sumps were leaking.

If your tank sumps require upgrading, consider using CSI Field Service technicians on your next job. Our technicians are experienced in the field of FRP and carry proper OSHA training for confined space entry.

If your tank sumps require upgrading from a non-sealed model to a watertight and testable model, contact CSI Field Services.

INSTALLATION IS EASY FOR A COMPLETE WATERTIGHT TANK SUMP ASSEMBLY

- 1) Cut away existing top.
- 2) Install a new WTE reducer and WTL lid inside existing top, seal to existing turbine pipe.
- 3) Perform tightness test.



**Call our
Field Service
Department for
Upgrade Details
and Pricing
1-800-822-1997**



CONTAINMENT SOLUTIONS, INC. • 5150 Jefferson Chemical Rd • Conroe, TX 77301-6834
Toll Free (877) CSI - TANK or (936) 756-7731 • Fax (936) 756-7766
www.containmentsolutions.com

