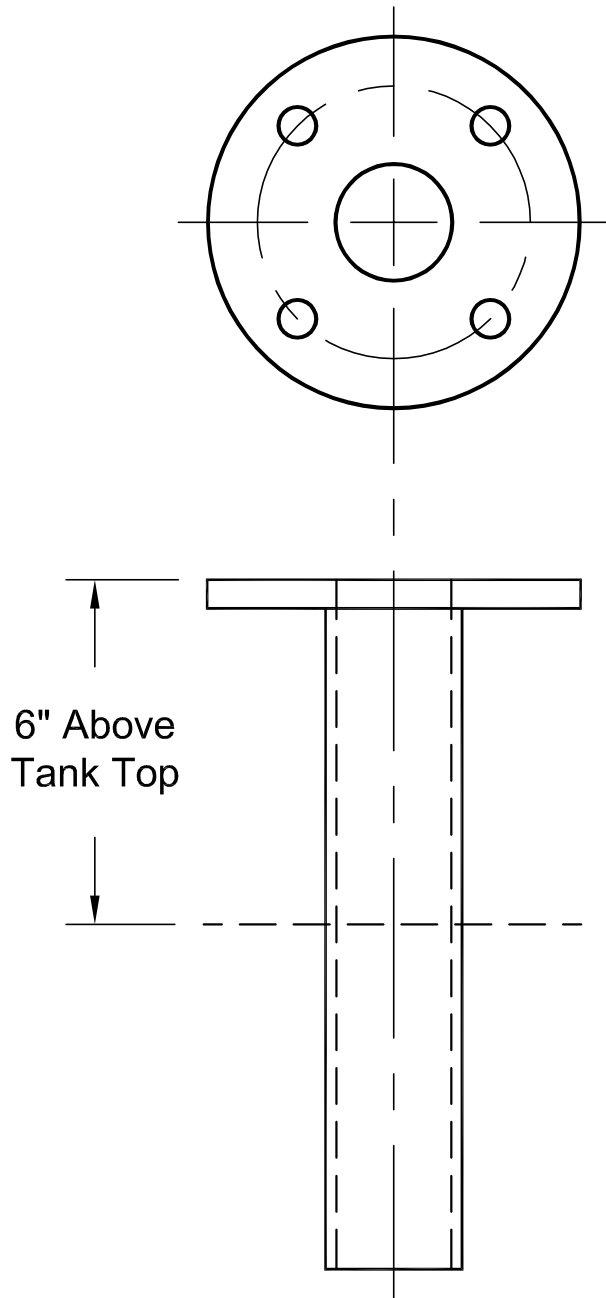


## 2" Flanged Nozzle



Flange Material - Fiberglass  
Nozzle Material - Fiberglass  
Flange Thickness - 1/2"  
Flange O.D. - 6 1/2"  
Bolt Hole Diameter - 3/4"  
Bolt Circle Diameter - 4 3/4"  
Number of Bolt Holes - 4  
Pipe Stub Thickness - 3/16"  
Pipe Stub Length - 12" typ.  
Flanges are Flat Face

\* Gasket and Blind Flange not Included  
\* 5/8" Nuts, Bolts and Washers Required

### Notes:

Flange dimensions per ASME B16.5 for 150 lb flanges.  
Flange and pipe wall thicknesses per ASTM D3299.  
Tank Mounted Nozzles are Installed with Gussets



**CONTAINMENT**  
SOLUTIONS<sup>®</sup>

FLGNOZ-2.DWG 9/2017