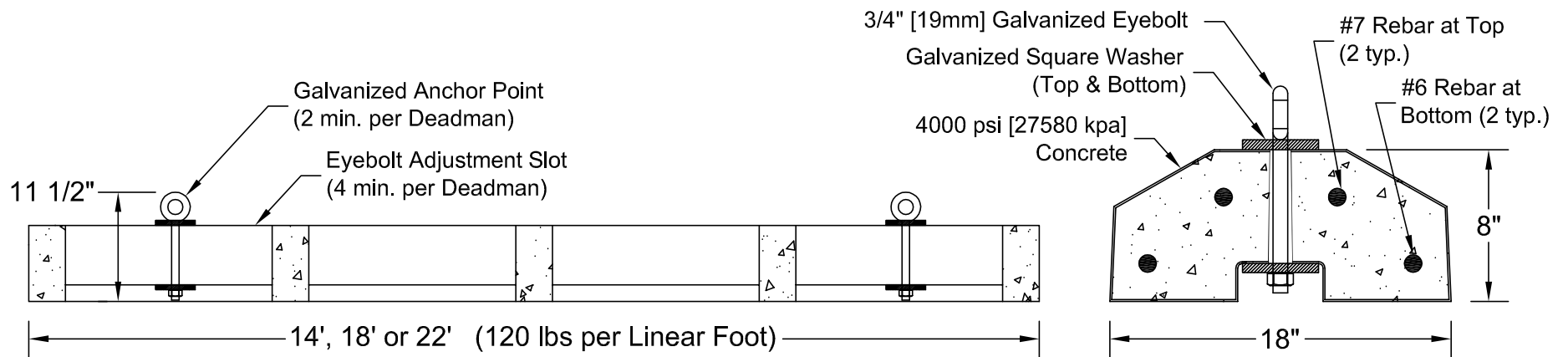


# Deadman Section Detail

4', 6', 10' & 12' Diameter Tanks



**CONTAINMENT**  
SOLUTIONS®

DM141822.DWG 08/01/07