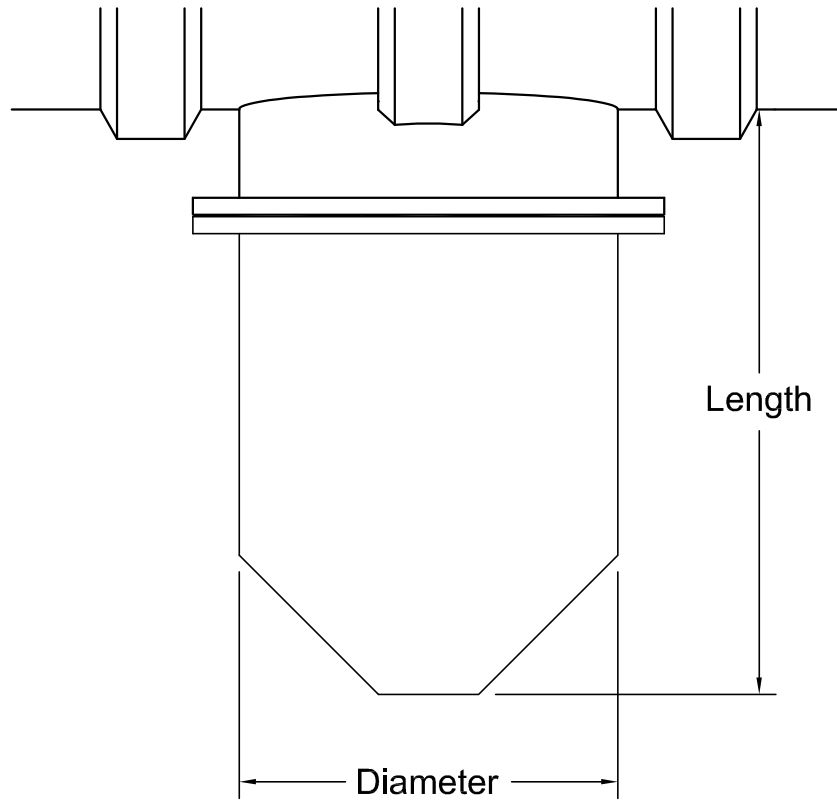


Fiberglass Bottom Sumps

(Installed On Manways)

Diameter	Length
22"	35"
30"	35"
48"	48"



CONTAINMENT
SOLUTIONS[®]

BOTTOMSUMP.DWG 05/2007