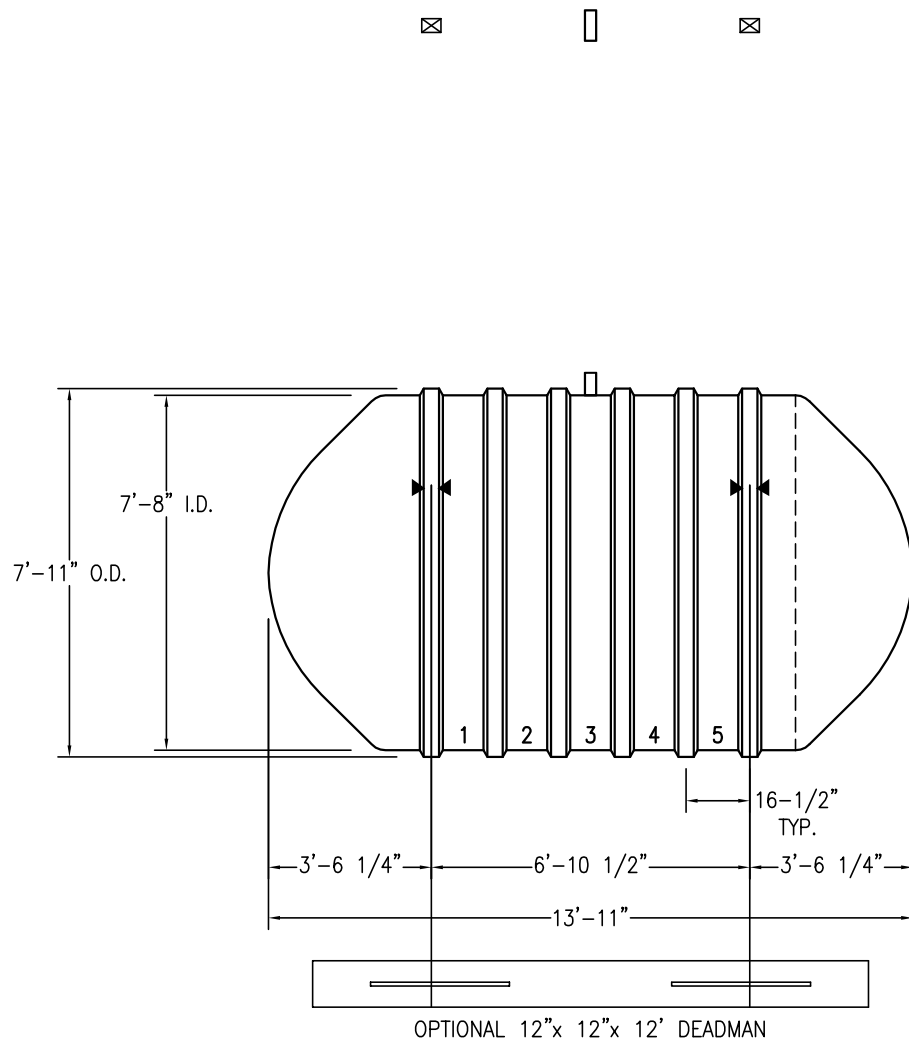


SHELL CODES: 1-E8S06SD, 1-E8SECSD



NOTES:

- ☒ HOLD DOWN STRAP CLIP
- ▶◀ HOLD DOWN STRAP LOCATION
- TYPE "13" LIFT LUG - SD
- TYPE "13" LIFT LUG - HD

SWT G-6 (8')-4000		DATE: 1/1/2014
		DRAWN BY: K.A.SOEDER
CONTAINMENT SOLUTIONS	CAPACITY: 3,998	REVISED:
	WEIGHT: DRY/WET 1550	DWG NUMBER: 84SWG6