

FLOWTITE PRODUCTS

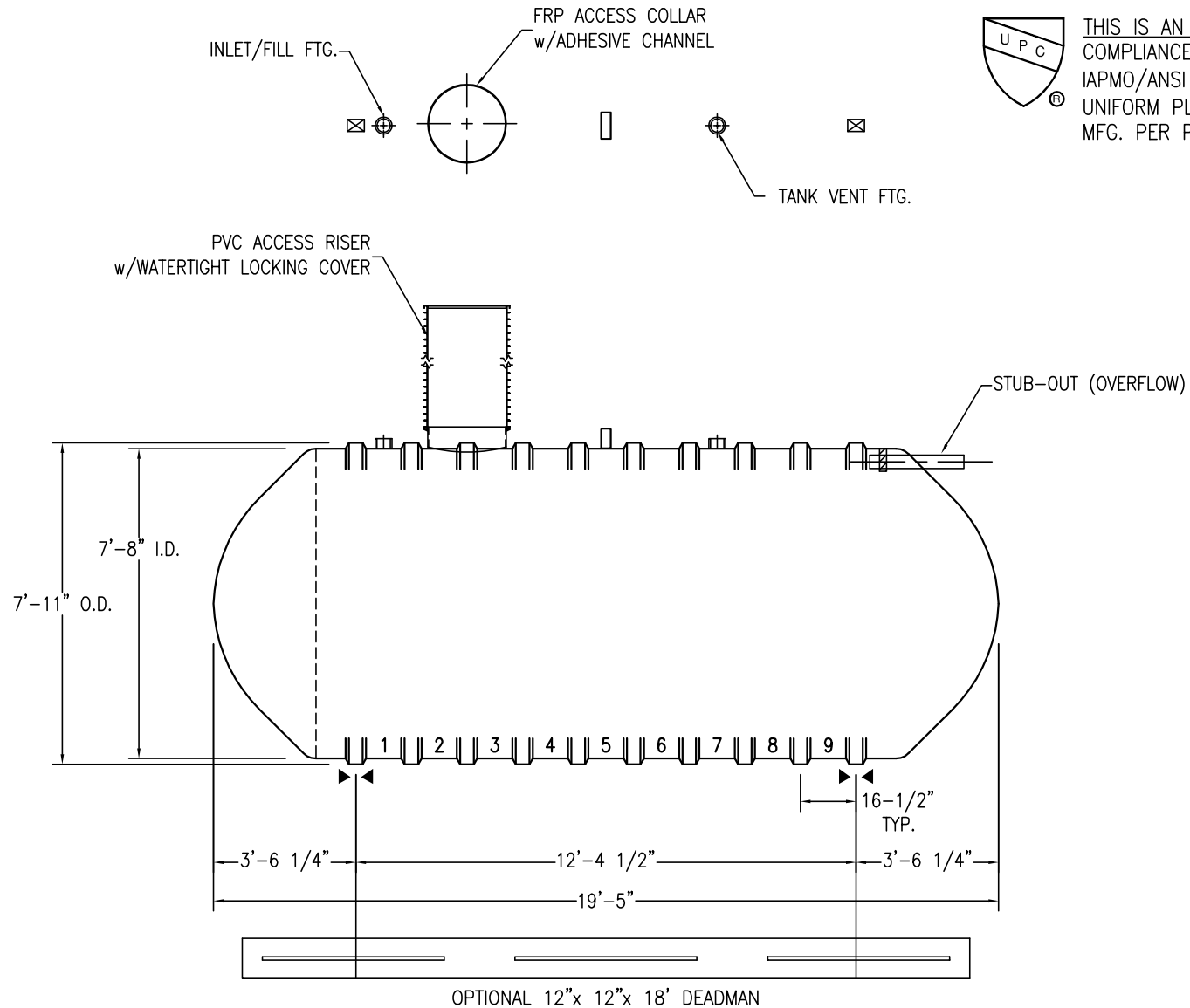
RAINWATER HARVESTING

NOTE: CUSTOMER SUPPLIED
"ASTM C-1644" APPROVED
FLEXIBLE PIPING COUPLING
REQUIRED ON TANGENTIALLY
MTD. NOZZLES, & PIPES

SHELL CODES: 1-E8S10SD, 1-E8SECS



THIS IS AN IAPMO APPROVED TANK
COMPLIANCE STANDARDS AND CODES:
IAPMO/ANSI Z1002
UNIFORM PLUMBING CODE (UPC)
MFG. PER PE-C22.85



THIS DIAGRAM IS THE PROPERTY OF CONTAINMENT SOLUTIONS, INC., AND IS FOR ILLUSTRATION PURPOSES ONLY. IT IS NOT TO BE RELIED UPON FOR ANY OTHER PURPOSE. NO WARRANTY OF MERCHANT ABILITY OF FITNESS FOR A PARTICULAR PURPOSE OR OF ANY OTHER KIND, EXPRESSED OR IMPLIED IS HEREBY MADE. COPYRIGHT © 2016 CONTAINMENT SOLUTIONS, INC. ALL RIGHTS RESERVED.

IAPMO Z1002 MINIMUM REQUIRED TANK OPENINGS

- 1-ACCESS COLLAR OPENING (24", 30" or 36")
- 1-ACCESS RISER w/WATERTIGHT LOCKING COVER
- 1-INLET/FILL FITTING (4" MIN)
- 1-TANK OVERFLOW (EQUAL TO THE INLET)
- 1-TANK VENT (EQUAL TO LARGER-INLET OR OVERFLOW)

SWT G-6 (8')-6000		DATE: 7/28/2016
IAPMO RAINWATER HARVESTING		DRAWN BY: R.OXNER
CONTAINMENT SOLUTIONS	CAPACITY: 5,897	REVISED: 4/16/17-A
	WEIGHT: DRY/WET 2050	DWG NUMBER: 8-06 IRWH