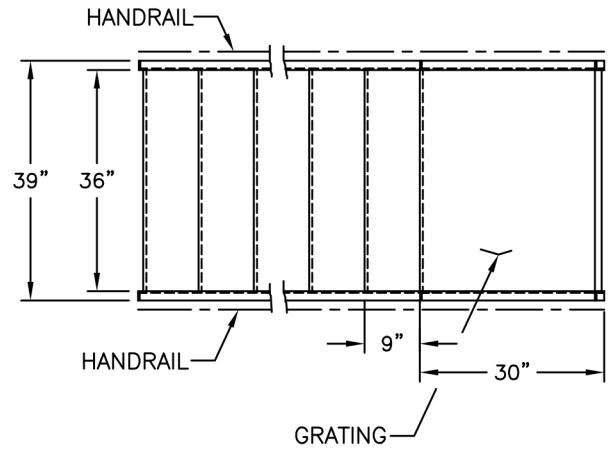
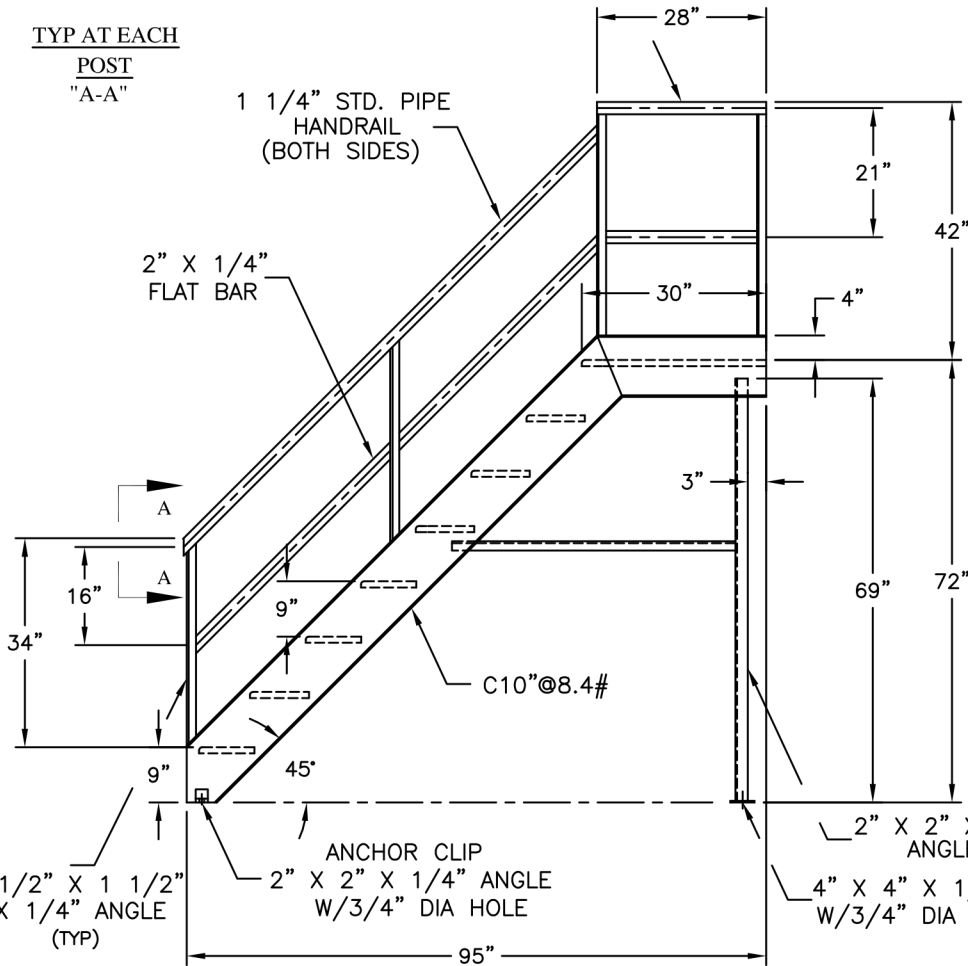


1 1/4" STD. PIPE
HANDRAIL
(BOTH SIDES)

TYP AT EACH
POST
"A-A"

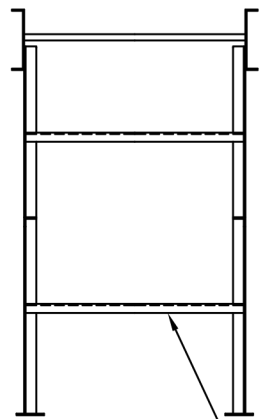
1 1/4" STD. PIPE
HANDRAIL
(BOTH SIDES)

2" X 1/4"
FLAT BAR



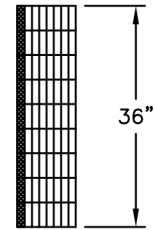
GRATING

PLAN



END VIEW
LEG BRACING

1 1/2" X 1 1/2"
X 3/16" ANGLES



TYP. STAIR TREAD

UPGRADE:
OPTIONAL GALVANIZED FINISH.

PRODUCT CODE	GALLONS	DESCRIPTION	OVERALL SIZE	SHIP WT.
STB015		7 STEP W/LANDING	7'-11" L X 3'-3" W X 9'-6" H	850 LBS

THIS DRAWING AND DESIGN SHOWN HEREIN IS THE PROPERTY OF CONTAINMENT SOLUTIONS. USE OR COPIES THEREOF CANNOT BE MADE WITHOUT WRITTEN CONSENT.

CUSTOMER NAME: _____

APPROVED BY: _____ DATE: _____



DRAWN BY: D. ROVANG	DATE DRAWN: 07-01-09
DWG NUMBER: STB015	SCALE: 1:32
REV: _____	REV BY: _____
DATE: _____	SHEET: 1 OF 1