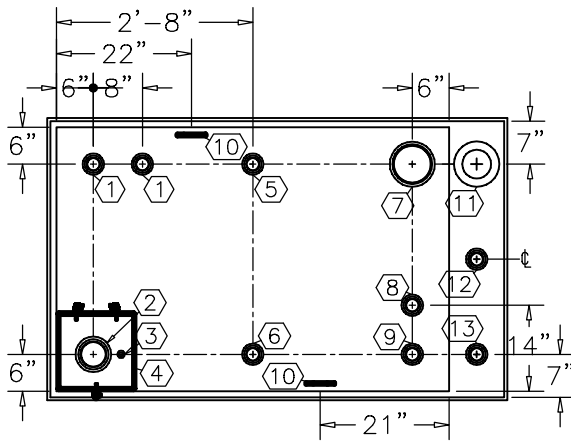
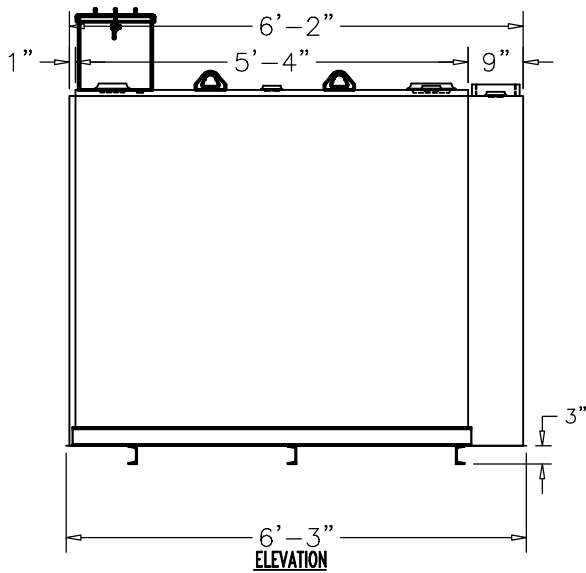


**NOTE:**  
 OVERALL SHIPPING DIMENSION: 6'-3" L X 3'-10" W X 6'-2" H



**TOP VIEW**

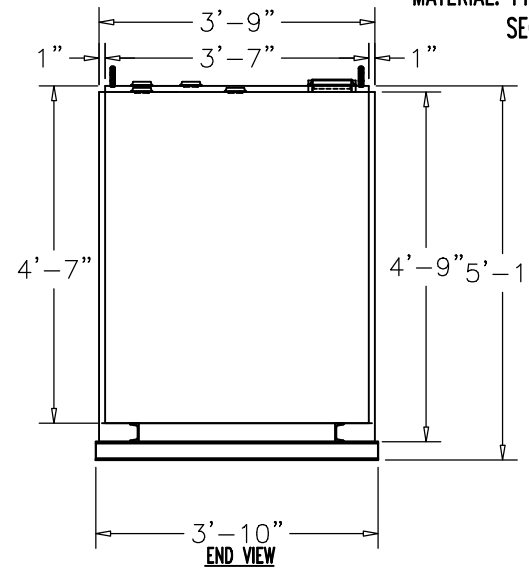


**ELEVATION**

ITEM	SIZE	SUGGESTED FUNCTION
1	2"	SPARE
2	4"	FILL
3	1/2"	DRAIN FOR SPILLBOX
4	7 GAL.	SPILLBOX, DWG."SBB002"
5	2"	PRIMARY TANK WORKING VENT
6	2"	MECHANICAL GAUGE/SPARE
7	6"	PRIMARY TANK EMERGENCY VENT
8	2"	RETURN
9	2"	SUPPLY
10	SMALL	LIFTING LUG
11	6"	SECONDARY CONTAINMENT EMERGENCY VENT
12	2"	SECONDARY MONITOR PORT
13	2"	SECONDARY WORKING VENT

**TANK SPECIFICATIONS**

VENTING CAPACITY: PRIMARY TANK - 126,000 CUBIC FEET PER HOUR  
 SECONDARY TANK - 126,000 CUBIC FEET PER HOUR  
 MATERIAL: PRIMARY TANK - 10 GA.  
 SECONDARY TANK - 10 GA.



**END VIEW**

PRODUCT CODE	GALLONS	DESCRIPTION	OVERALL SIZE	SHIP WT.
GCAA1650DS001	650	UL-142 DOUBLE WALL GEN CUBE TANK W/SPILLBOX	6'-3" L X 3'-10" W X 5'-1" H	1,525 LBS.

THIS DRAWING AND DESIGN SHOWN HEREIN IS THE PROPERTY OF CONTAINMENT SOLUTIONS. USE OR COPIES THEREOF CANNOT BE MADE WITHOUT WRITTEN CONSENT.

CUSTOMER NAME: \_\_\_\_\_

**APPROVED** BY: \_\_\_\_\_ DATE: \_\_\_\_\_

**CONTAINMENT SOLUTIONS®**

DRAWN BY: D. ROVANG DATE DRAWN: 01-01-14  
 DWG NUMBER: 5104006 SCALE: 1:32  
 REV:A REV BY: DAR DATE: 05-28-14 SHEET: 1 OF 1