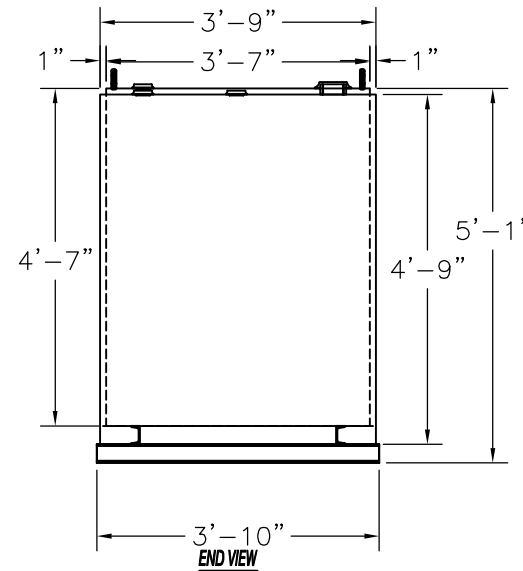
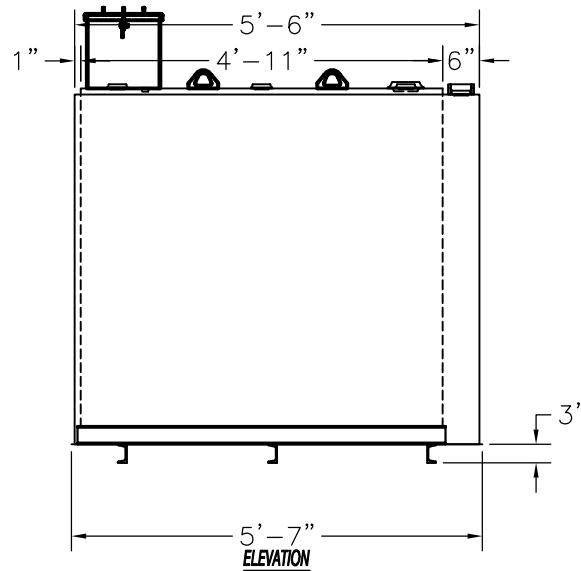
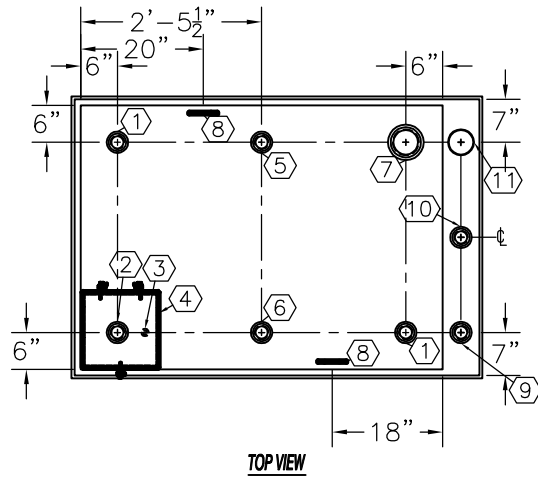


NOTE:

OVERALL SHIPPING DIMENSION: 5'-7" L X 3'-10" W X 6'-2" H



ITEM	SIZE	SUGGESTED FUNCTION
1	2"	FILL
2	2"	SPARE
3	1/2"	DRAIN FOR SPILLBOX
4	7 GAL.	SPILLBOX, DWG."SBB002"
5	2"	PRIMARY TANK WORKING VENT
6	2"	MECHANICAL GAUGE/ SPARE
7	4"	PRIMARY TANK EMERGENCY VENT
8	SMALL	LIFTING LUG
9	2"	SECONDARY WORKING VENT
10	2"	SECONDARY MONITOR PORT/ SPARE
11	4"	SECONDARY CONTAINMENT EMERGENCY VENT

TANK SPECIFICATIONS

VENTING CAPACITY: PRIMARY TANK - 105,000 CUBIC FEET PER HOUR

SECONDARY TANK - 126,000 CUBIC FEET PER HOUR

MATERIAL: PRIMARY TANK - 10 GA.

SECONDARY TANK - 10 GA.

PRODUCT CODE	GALLONS	DESCRIPTION	OVERALL SIZE	SHIP WT.
LCAA1600DS001	600	UL-142 DOUBLE WALL LUBE CUBE TANK W/SPILLBOX	5'-7" L X 3'-10" W X 5'-1" H	1,525 LBS.

THIS DRAWING AND DESIGN SHOWN HEREIN IS THE PROPERTY OF CONTAINMENT SOLUTIONS. USE OR COPIES THEREOF CANNOT BE MADE WITHOUT WRITTEN CONSENT.

CUSTOMER NAME: _____

APPROVED BY: _____ DATE: _____

CONTAINMENT SOLUTIONS®

DRAWN BY: D. ROVANG DATE DRAWN: 10-23-17
 DWG NUMBER: 5107404 SCALE: 1:24
 REV: _____ REV BY: _____ DATE: _____ SHEET: 1 OF 1