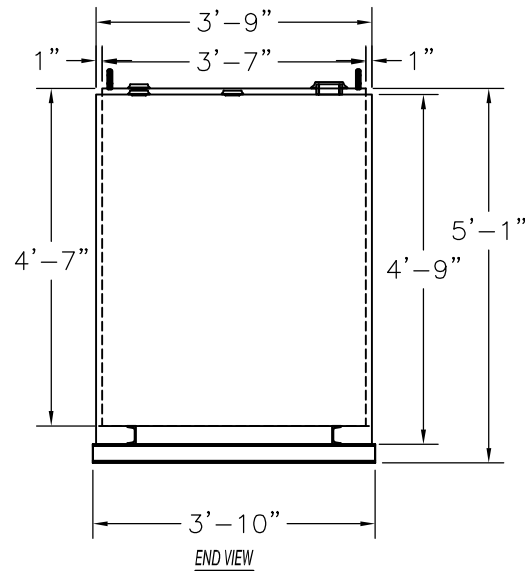
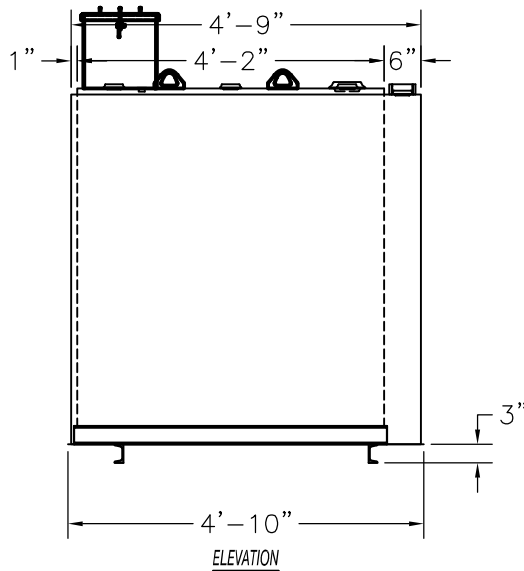
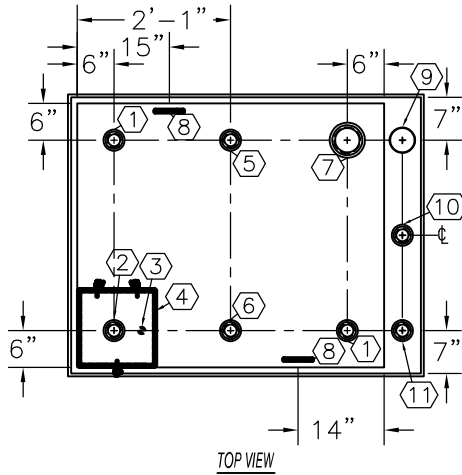


NOTE:
 OVERALL SHIPPING DIMENSION: 4'-10" L X 3'-10" W X 6'-2" H



ITEM	SIZE	SUGGESTED FUNCTION
1	2"	SPARE
2	2"	FILL
3	1/2"	DRAIN FOR SPILLBOX
4	7 GAL.	SPILLBOX, DWG."SBB002"
5	2"	PRIMARY TANK WORKING VENT
6	2"	MECHANICAL GAUGE/ SPARE
7	4"	PRIMARY TANK EMERGENCY VENT
8	SMALL	LIFTING LUG
9	4"	SECONDARY CONTAINMENT EMERGENCY VENT
10	2"	SECONDARY MONITOR PORT/ SPARE
11	2"	SECONDARY WORKING VENT

TANK SPECIFICATIONS

VENTING CAPACITY: PRIMARY TANK - 94,800 CUBIC FEET PER HOUR
 SECONDARY TANK - 104,600 CUBIC FEET PER HOUR
 MATERIAL: PRIMARY TANK - 10 GA. CARBON STEEL
 SECONDARY TANK - 10 GA. CARBON STEEL

PRODUCT CODE	GALLONS	DESCRIPTION	OVERALL SIZE	SHIP WT.
LCAA1500DS001	500	CSI UL-142 DOUBLE WALL LUBE CUBE TANK	4'-10" L X 3'-10" W X 5'-1" H	1,315 LBS.

THIS DRAWING AND DESIGN SHOWN HEREIN IS THE PROPERTY OF CONTAINMENT SOLUTIONS. USE OR COPIES THEREOF CANNOT BE MADE WITHOUT WRITTEN CONSENT.

CUSTOMER NAME: _____
APPROVED BY: _____ DATE: _____

Fiber Glass Systems
 Completion & Production Solutions

DRAWN BY: D. ROVANG DATE DRAWN: 03-22-16
 DWG NUMBER: 5106578 SCALE: 1:24
 REV:A REV BY: DAR DATE: 01-01-20 SHEET: 1 OF 1