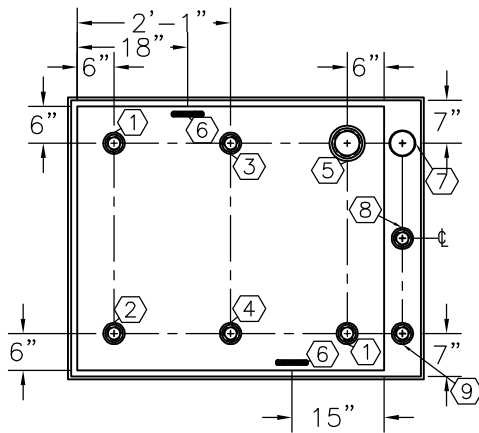
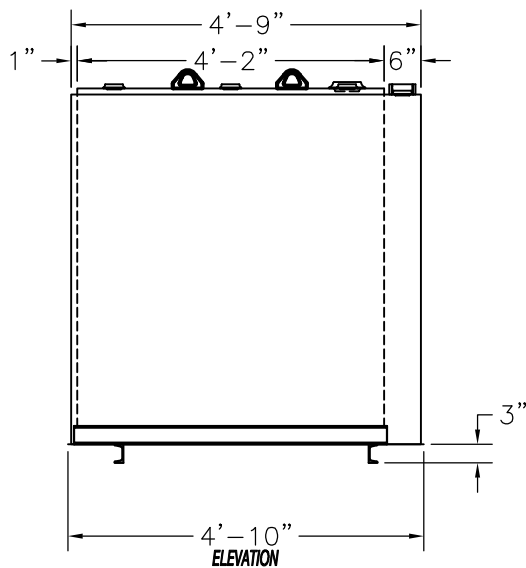


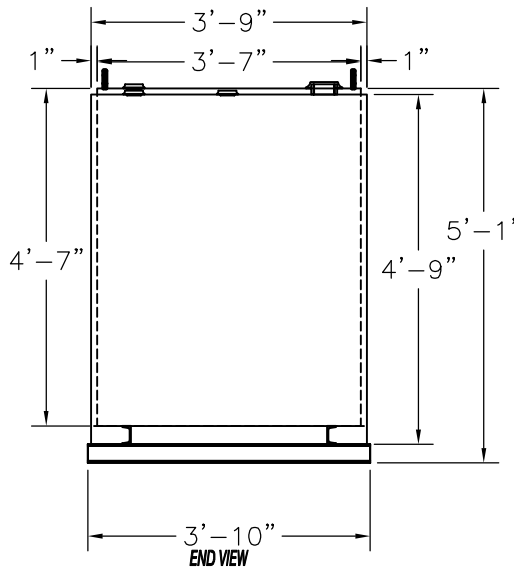
NOTE:
 OVERALL SHIPPING DIMENSION: 4'-10" L X 3'-10" W X 5'-4" H



TOP VIEW



ELEVATION



END VIEW

ITEM	SIZE	SUGGESTED FUNCTION
1	2"	SPARE
2	2"	FILL
3	2"	PRIMARY TANK WORKING VENT
4	2"	MECHANICAL GAUGE/ SPARE
5	4"	PRIMARY TANK EMERGENCY VENT
6	SMALL	LIFTING LUG
7	4"	SECONDARY CONTAINMENT EMERGENCY VENT
8	2"	SECONDARY MONITOR PORT/ SPARE
9	2"	SECONDARY WORKING VENT

TANK SPECIFICATIONS

VENTING CAPACITY: PRIMARY TANK - 94,800 CUBIC FEET PER HOUR

SECONDARY TANK - 104,600 CUBIC FEET PER HOUR

MATERIAL: PRIMARY TANK - 10 GA.

SECONDARY TANK - 10 GA.

PRODUCT CODE	GALLONS	DESCRIPTION	OVERALL SIZE	SHIP WT.
LCAA1500D8600	500	UL-142 DOUBLE WALL LUBE CUBE TANK	4'-10" L X 3'-10" W X 5'-1" H	1,300 LBS.
THIS DRAWING AND DESIGN SHOWN HEREIN IS THE PROPERTY OF CONTAINMENT SOLUTIONS. USE OR COPIES THEREOF CANNOT BE MADE WITHOUT WRITTEN CONSENT.				
CUSTOMER NAME	APPROVED BY: _____		DATE: _____	

CONTAINMENT SOLUTIONS®

DRAWN BY: D. ROVANG DATE DRAWN: 05-04-15
 DWG NUMBER: 5106171 SCALE: 1:24
 REV: B REV BY: DAR DATE: 10-23-17 SHEET: 1 OF 1