

FLOWTITE PRODUCTS

GREASE INTERCEPTOR

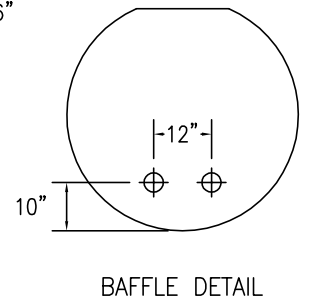
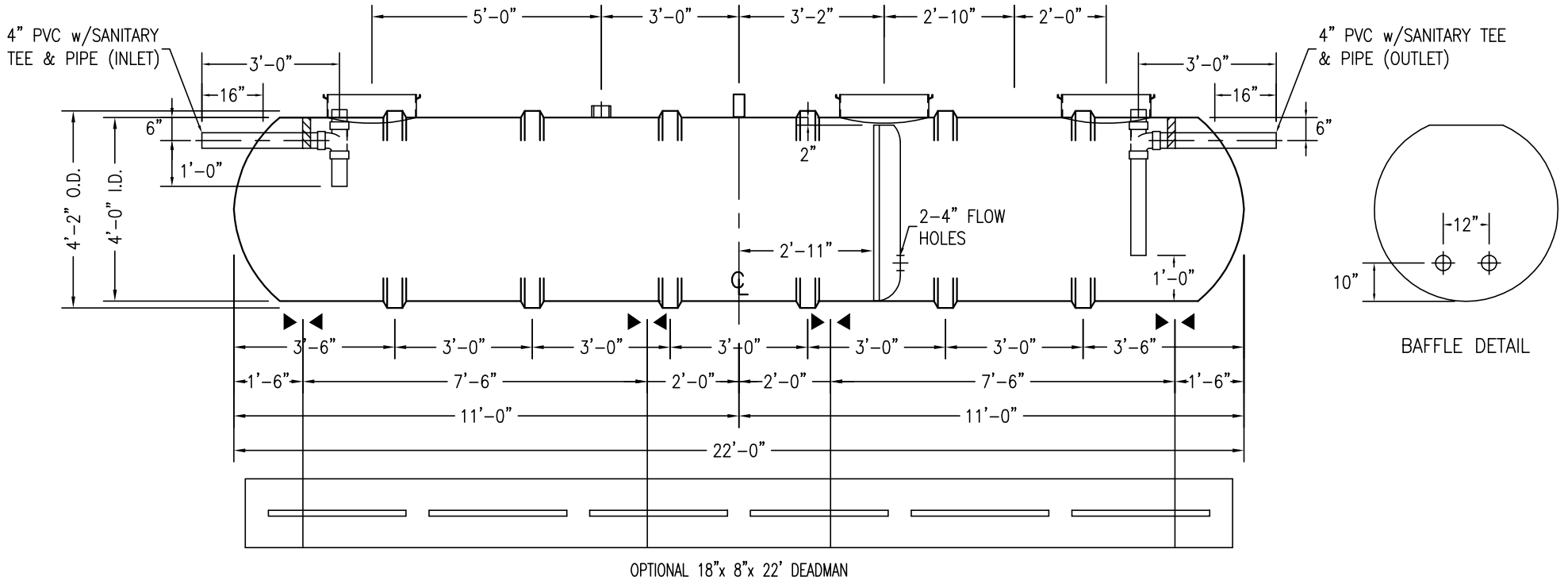
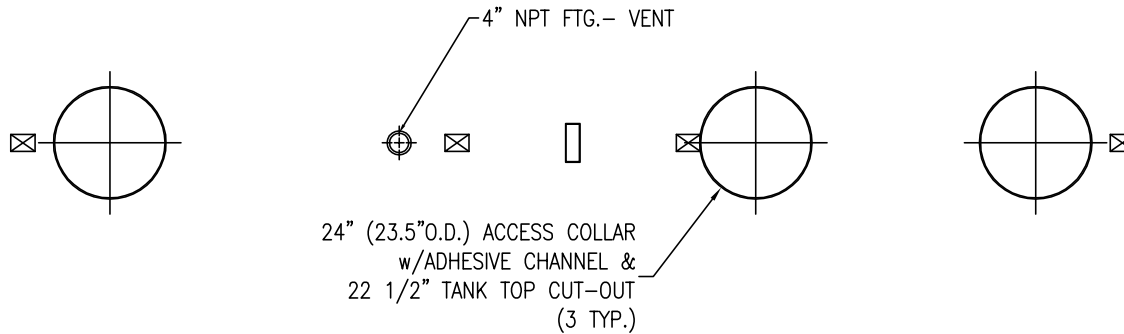
NOTE: CUSTOMER SUPPLIED "ASTM C-1644" APPROVED FLEXIBLE PIPING COUPLING REQUIRED ON TANGENTIALLY MTD. NOZZLES, & PIPES

SHELL CODES: 2-E4S132S3



THIS IS AN IAPMO APPROVED TANK COMPLIANCE STANDARDS AND CODES: IAPMO/ANSI Z1001 UNIFORM PLUMBING CODE (UPC) INTERNATIONAL PLUMBING CODE (IPC) MFG. PER PE-C22.85

CAPACITIES:
LIQUID OPERATING CAPACITY = 1773 GALS
FREE SURFACE AREA OF LIQUID = 61 SQ/FT
GREASE/FOG STORAGE = 714 GALS/5426 LBS



NOTES:

- ☒ HOLD DOWN STRAP CLIP
- ▶◀ HOLD DOWN STRAP LOCATION
- TYPE "13" LIFT LUG - SD
- TYPE "13" LIFT LUG - HD

SWT D5 (4')-1800 2B-IG		DATE:	1/1/2014
IAPMO GREASE INTERCEPTOR		DRAWN BY:	K.A.SOEDER
CONTAINMENT SOLUTIONS S.	CAPACITY:	REVISED:	02/01/17-A
	WEIGHT: DRY/WET	DWG NUMBER:	418CSW-IG
	2,000		950