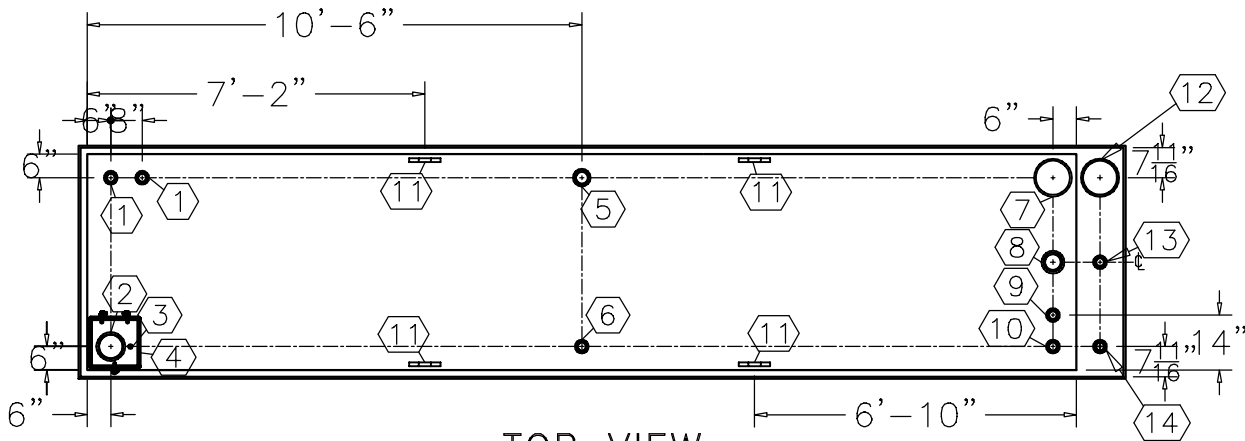
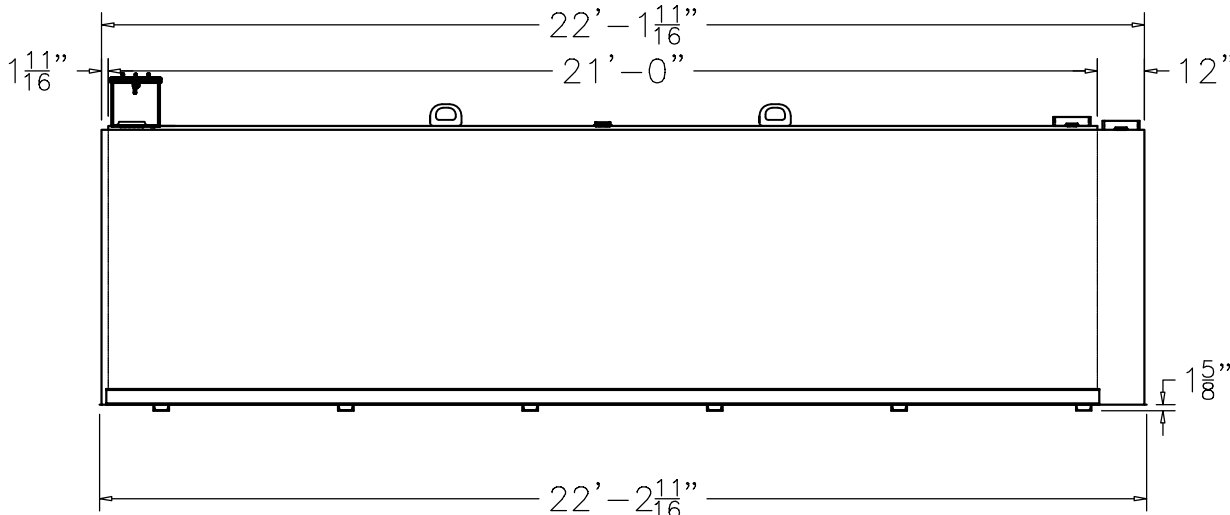


NOTE:
OVERALL SHIPPING DIMENSION: 22'-3" L X 5'-0" W X 7'-2" H



TOP VIEW

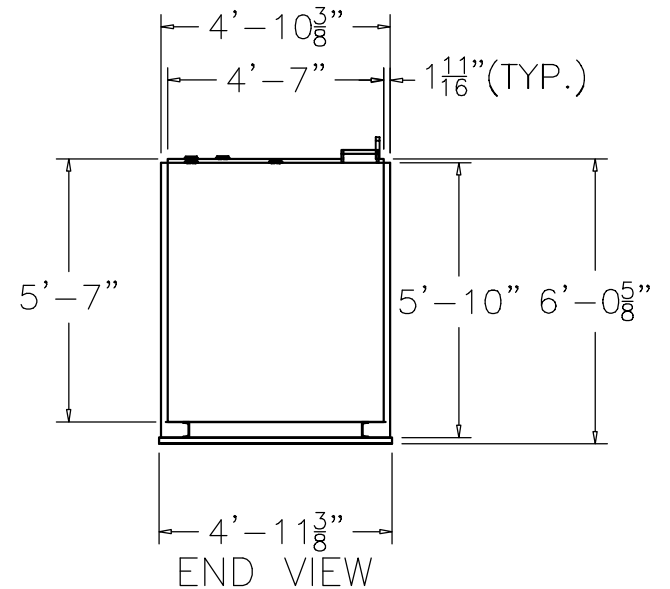


ELEVATION

ITEM	SIZE	SUGGESTED FUNCTION
1	2"	SPARE
2	6"	FILL
3	1/2"	DRAIN FOR SPILLBOX
4	7 GAL.	SPILLBOX, DWG."SBB002"
5	3"	PRIMARY TANK WORKING VENT
6	2"	MECHANICAL GAUGE/SPARE
7	8"	PRIMARY TANK EMERGENCY VENT
8	4"	SPARE
9	2"	RETURN
10	2"	SUPPLY
11	LARGE	LIFTING LUG
12	8"	SECONDARY CONTAINMENT EMERGENCY VENT
13	2"	SECONDARY MONITOR PORT
14	2"	SECONDARY WORKING VENT

TANK SPECIFICATIONS

VENTING CAPACITY: PRIMARY TANK - 312,000 CUBIC FEET PER HOUR
 SECONDARY TANK - 354,000 CUBIC FEET PER HOUR
 MATERIAL: PRIMARY TANK - 3/16" THICK
 SECONDARY TANK - 3/16" THICK



END VIEW

PRODUCT CODE	GALLONS	DESCRIPTION	OVERALL SIZE	SHIP WT.
GCAA104MDS001	4,000	UL-142 DOUBLE WALL GEN CUBE TANK W/SPILLBOX	22'-3" L X 5'-0" W X 6'-1" H	8,150 LBS.



THIS DRAWING AND DESIGN SHOWN HEREIN IS THE PROPERTY OF CONTAINMENT SOLUTIONS. USE OR COPIES THEREOF CANNOT BE MADE WITHOUT WRITTEN CONSENT.

CUSTOMER NAME: _____
APPROVED BY: _____ DATE: _____

DRAWN BY: D. ROVANG DATE DRAWN: 01-01-14
 DWG NUMBER: 5104012 SCALE: 1:50
 REV: _____ REV BY: _____ DATE: _____ SHEET: 1 OF 1