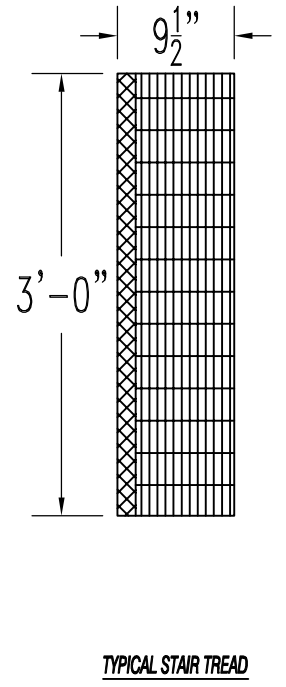
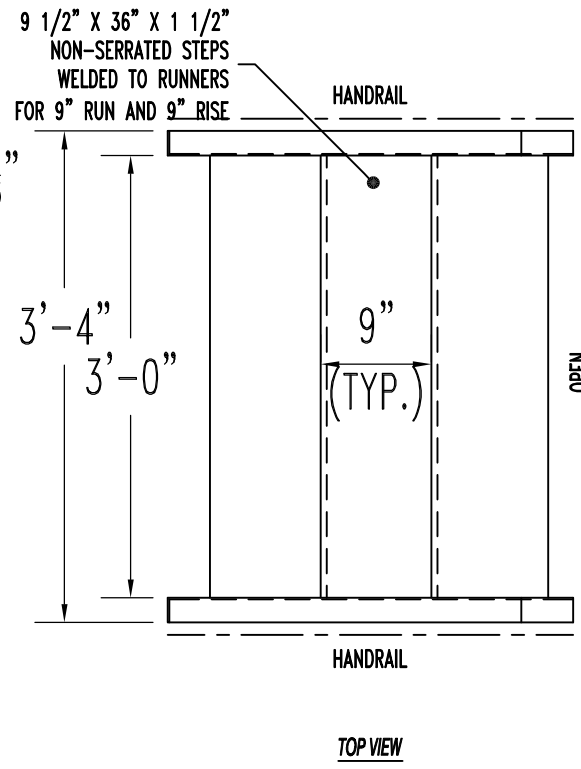
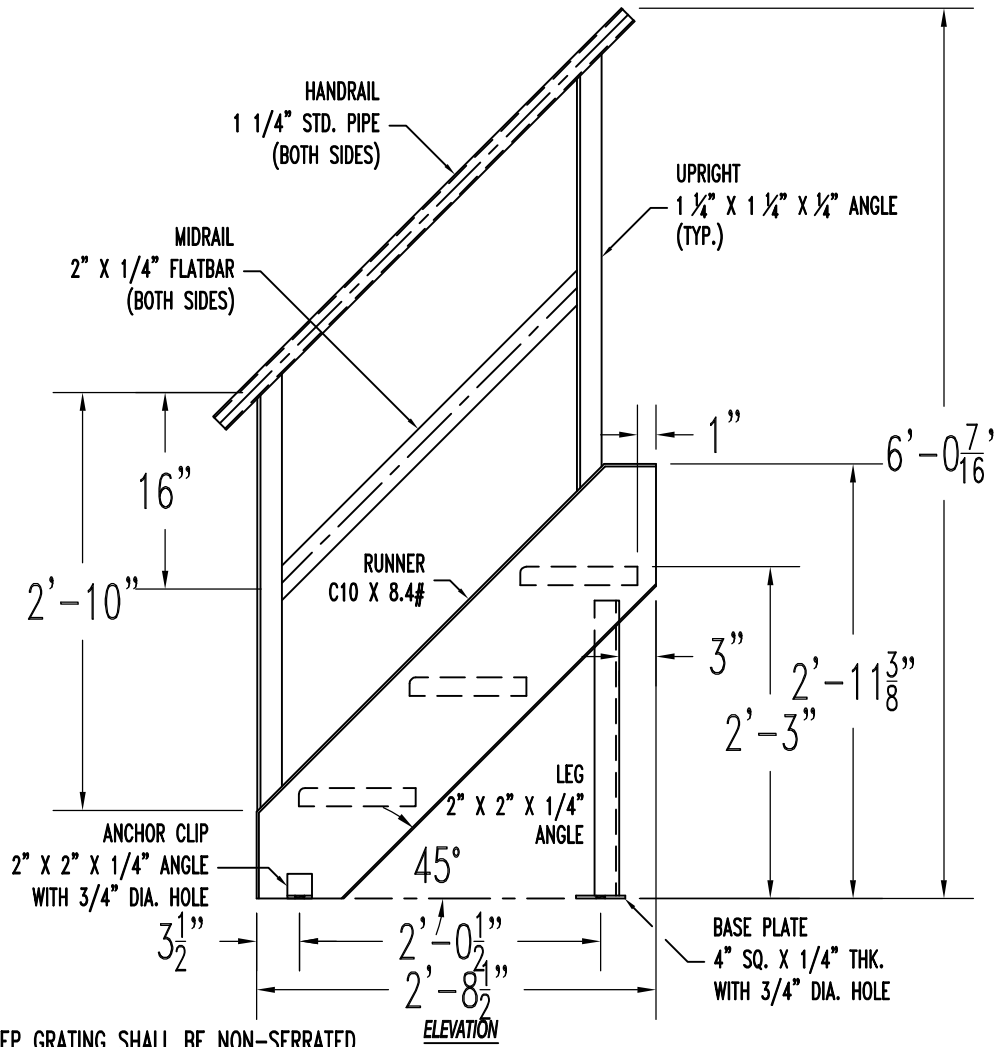


THREE STEP STAIR WITH HANDRAIL



NOTES:

1. STEP GRATING SHALL BE NON-SERRATED
2. STAIR SHALL BE MOUNTED BETWEEN 1/2" AND 3/4" FROM TANK EXTERIOR.
3. OPTIONAL GALVANIZED FINISH AVAILABLE.

PRODUCT CODE	GALLONS	DESCRIPTION	OVERALL SIZE	SHIP WT.
STB002		3 STEP STAIRS W/HANDRAILS	2'-9" L X 3'-4" W X 6'-1" H	195 LBS.
THIS DRAWING AND DESIGN SHOWN HEREIN IS THE PROPERTY OF CONTAINMENT SOLUTIONS. USE OR COPIES THEREOF CANNOT BE MADE WITHOUT WRITTEN CONSENT.				
CUSTOMER NAME	APPROVED BY: _____		DATE: _____	

CONTAINMENT SOLUTIONS®

DRAWN BY: D. ROVANG	DATE DRAWN: 01-01-14
DWG NUMBER: STB002	SCALE: 1:16
REV: _____	REV BY: _____
DATE: _____	SHEET: 1 OF 1