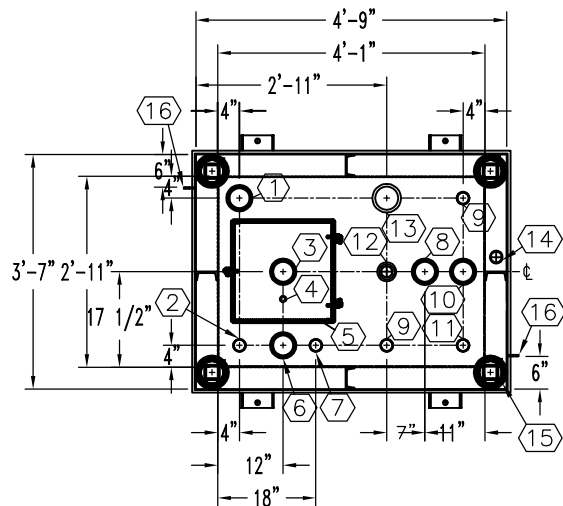
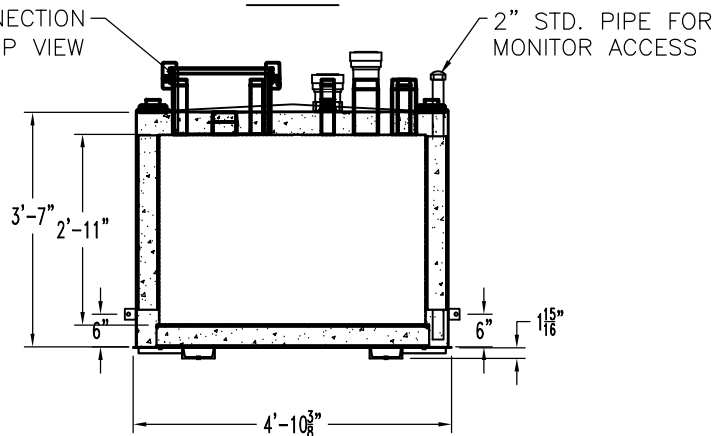


NOTE:
OVERALL SHIPPING DIMENSION: 5'-1" L X 4'-2" W X 4'-7" H



TOP VIEW

THREADED CONNECTION
 (TYP.) SEE TOP VIEW



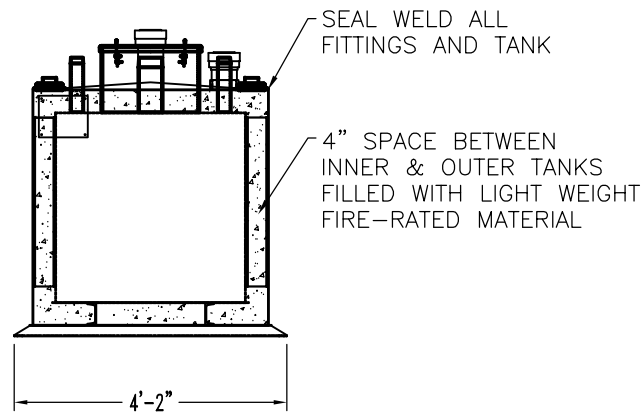
ELEVATION

ITEM	SIZE	SUGGESTED FUNCTION
1	4"	PHASE 1 VAPOR RECOVERY/SPARE
2	2"	MECHANICAL GAUGE
3	4"	FILL
4	1/2"	DRAIN FOR SPILLBOX
5	15 GAL	SPILLBOX, DWG."SBB001"
6	4"	ELECTRONIC LEVEL GAUGE
7	2"	PRIMARY WORKING VENT
8	4"	PRIMARY TANK EMERGENCY VENT
9	2"	SPARE
10	4"	SUBMERSIBLE PUMP
11	2"	SUCTION PUMP/SPARE
12	2"	SECONDARY WORKING VENT
13	4"	SECONDARY CONTAINMENT EMERGENCY VENT
14	2"	SECONDARY MONITOR PIPE
15	4"	FIRE RATED MATERIAL FILL
16	2" X 2"	GROUND CLIP, DWG."MCB004"

TANK SPECIFICATIONS

VENTING CAPACITY: PRIMARY TANK - 63,200 CUBIC FEET PER HOUR
 SECONDARY TANK - 84,200 CUBIC FEET PER HOUR

MATERIAL: PRIMARY TANK - 3/16" THICK
 SECONDARY TANK - 3/16" THICK



END VIEW

PRODUCT CODE	GALLONS	DESCRIPTION	OVERALL SIZE	SHIP WT.
V4AA1250VS001	250	U/L-2085 ABOVE GROUND VAULT TANK W/SPILLBOX	4'-9" L X 3'-7" W X 3'-9" H	3,400 LBS.

CONTAINMENT SOLUTIONS

THIS DRAWING AND DESIGN SHOWN HEREIN IS THE PROPERTY OF CONTAINMENT SOLUTIONS. USE OR COPIES THEREOF CANNOT BE MADE WITHOUT WRITTEN CONSENT.

CUSTOMER NAME: _____
APPROVED BY: _____ DATE: _____

DRAWN BY: D. ROVANG DATE DRAWN: 01-01-14
 DWG NUMBER: 5100000 SCALE: 1:36
 REV: _____ REV BY: _____ DATE: _____ SHEET: 1 OF 1