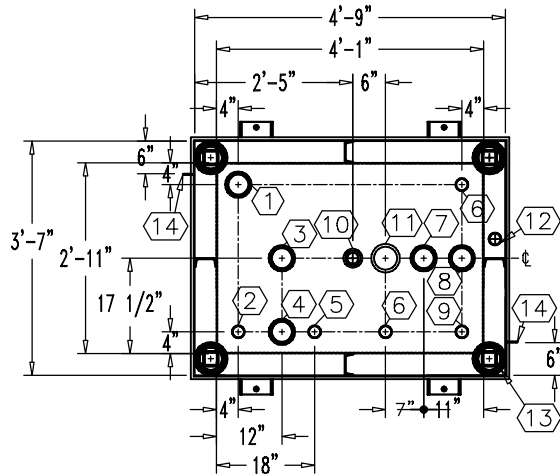


NOTE:
 OVERALL SHIPPING DIMENSION: 5'-1" L X 4'-2" W X 4'-7" H



ITEM	SIZE	SUGGESTED FUNCTION
1	4"	PHASE 1 VAPOR RECOVERY/SPARE
2	2"	MECHANICAL GAUGE
3	4"	FILL
4	4"	ELECTRONIC LEVEL GAUGE
5	2"	PRIMARY WORKING VENT
7	4"	PRIMARY TANK EMERGENCY VENT
6	2"	SPARE
8	4"	SUBMERSIBLE PUMP
9	2"	SUCTION PUMP/SPARE
10	2"	SECONDARY WORKING VENT
11	4"	SECONDARY CONTAINMENT EMERGENCY VENT
12	2"	SECONDARY MONITOR PIPE
13	4"	FIRE RATED MATERIAL FILL
14	2" X 2"	GROUND CLIP, DWG."MCB004"

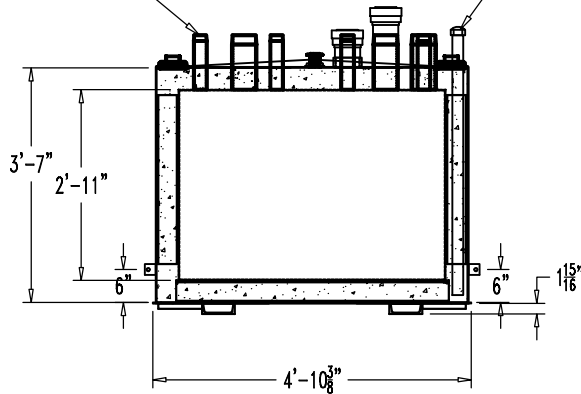
TANK SPECIFICATIONS

VENTING CAPACITY: PRIMARY TANK - 63,200 CUBIC FEET PER HOUR
 SECONDARY TANK - 84,200 CUBIC FEET PER HOUR
 MATERIAL: PRIMARY TANK - 3/16" THICK
 SECONDARY TANK - 3/16" THICK

THREADED CONNECTION (TYP.) SEE TOP VIEW

TOP VIEW

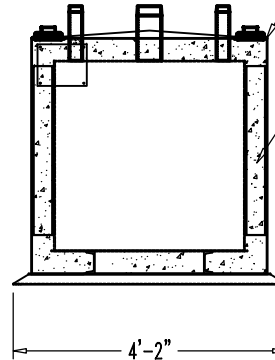
2" STD. PIPE FOR MONITOR ACCESS



ELEVATION

SEAL WELD ALL FITTINGS AND TANK

4" SPACE BETWEEN INNER & OUTER TANKS FILLED WITH LIGHT WEIGHT FIRE-RATED MATERIAL



END VIEW

PRODUCT CODE	GALLONS	DESCRIPTION	OVERALL SIZE	SHIP WT.
V4AA1250VS000	250	U/L-2085 ABOVE GROUND VAULT TANK	4'-9" L X 3'-7" W X 3'-9" H	3,400 LBS.

CONTAINMENT SOLUTIONS

THIS DRAWING AND DESIGN SHOWN HEREIN IS THE PROPERTY OF CONTAINMENT SOLUTIONS. USE OR COPIES THEREOF CANNOT BE MADE WITHOUT WRITTEN CONSENT.

CUSTOMER NAME: _____
APPROVED BY: _____ DATE: _____

DRAWN BY: D. ROVANG DATE DRAWN: 01-01-14
 DWG NUMBER: 5100015 SCALE: 1:36
 REV: _____ REV BY: _____ DATE: _____ SHEET: 1 OF 1