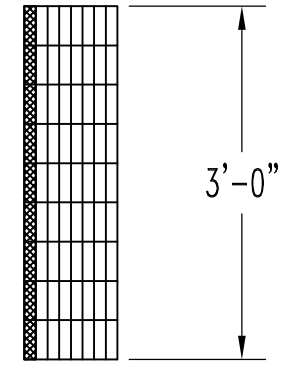
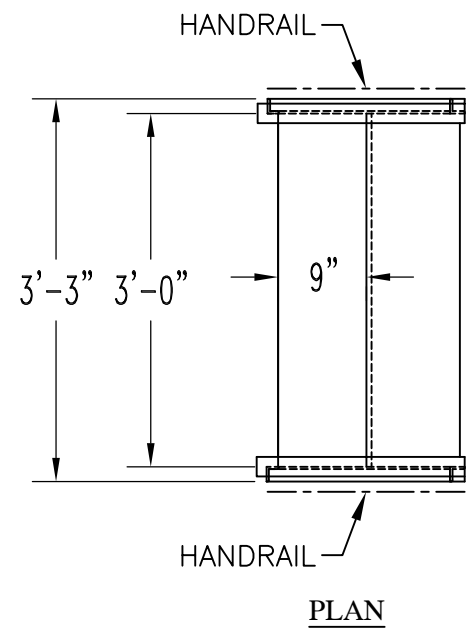
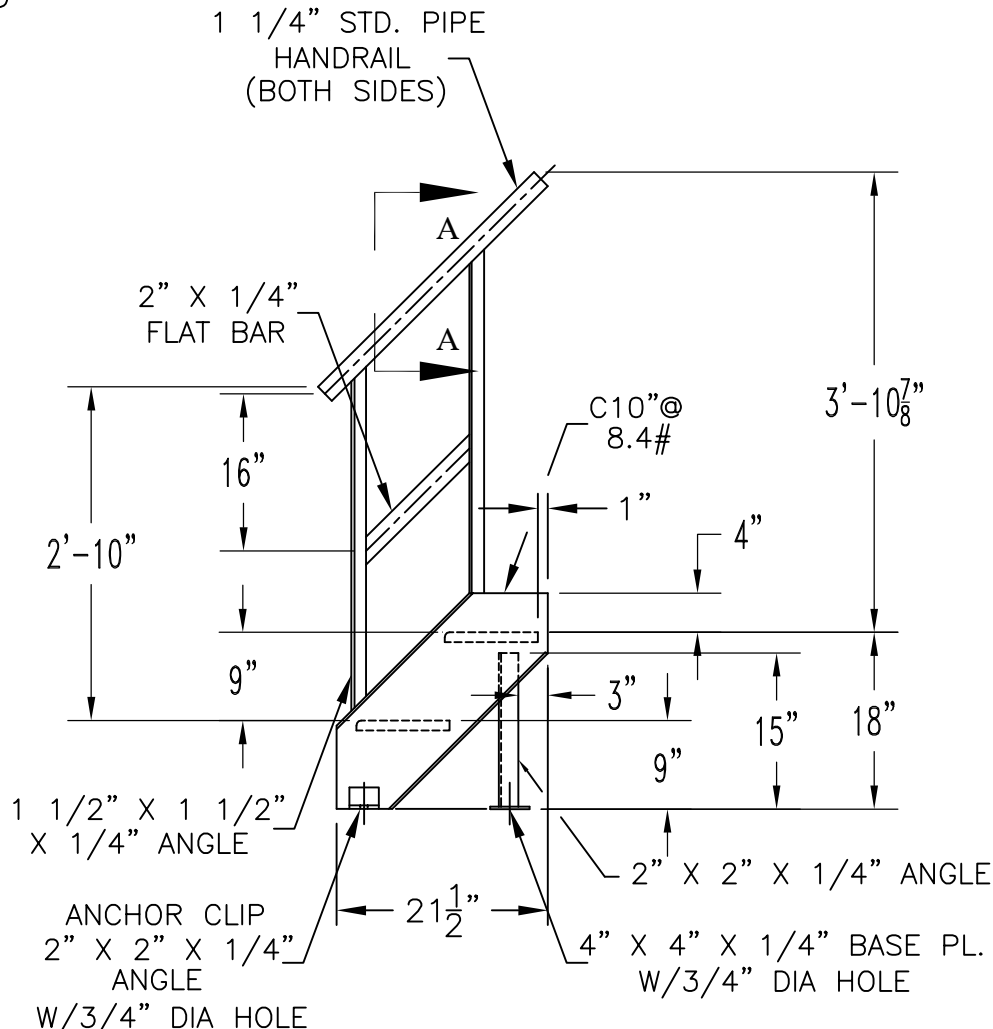


TYP AT EACH
POST
"A-A"



NOTES:

1. STEP GRATING SHALL BE NON-SERRATED
2. STAIR SHALL BE MOUNTED BETWEEN 1/2" AND 3/4" FROM TANK EXTERIOR.
3. OPTIONAL GALVANIZED FINISH AVAILABLE.

PRODUCT CODE	GALLONS	DESCRIPTION	OVERALL SIZE	SHIP WT.
STB001		2 STEP STAIRS W/HANDRAIL	1'-10" L X 3'-3" W X 5'-5" H	140 LBS.

THIS DRAWING AND DESIGN SHOWN HEREIN IS THE PROPERTY OF CONTAINMENT SOLUTIONS. USE OR COPIES THEREOF CANNOT BE MADE WITHOUT WRITTEN CONSENT.

CUSTOMER NAME _____

APPROVED BY: _____ DATE: _____

CONTAINMENT SOLUTIONS®

DRAWN BY: D. ROVANG DATE DRAWN: 01-01-14

DWG NUMBER: STB001 SCALE: 1:20

REV: REV BY: DATE: SHEET: 1 OF 1