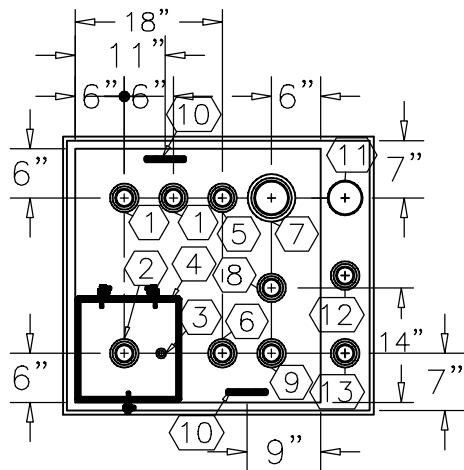


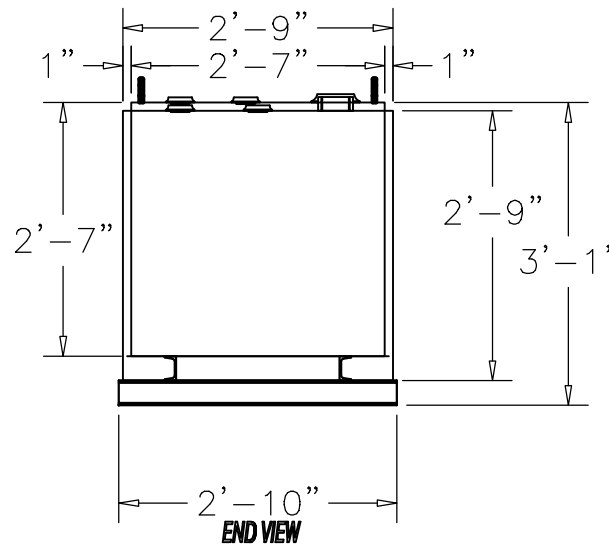
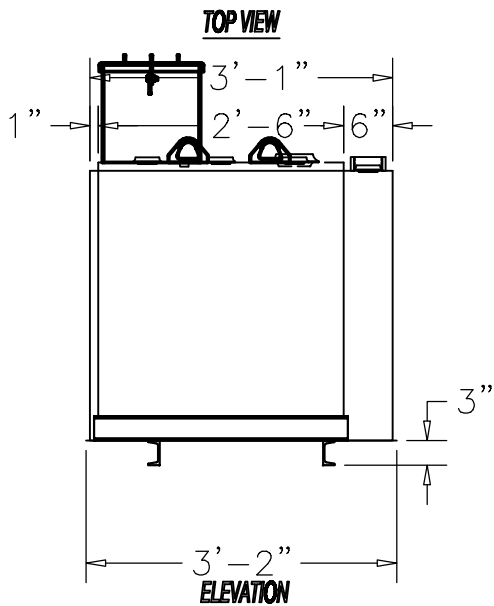
NOTE:
OVERALL SHIPPING DIMENSION: 3'-2" L X 2'-10" W X 4'-2" H



| ITEM | SIZE | SUGGESTED FUNCTION |
|------|--------|--------------------------------------|
| 1 | 2" | SPARE |
| 2 | 2" | FILL |
| 3 | 1/2" | DRAIN FOR SPILLBOX |
| 4 | 7 GAL. | SPILLBOX, DWG."SBB002" |
| 5 | 2" | PRIMARY TANK WORKING VENT |
| 6 | 2" | MECHANICAL GAUGE/SPARE |
| 7 | 4" | PRIMARY TANK EMERGENCY VENT |
| 8 | 2" | RETURN |
| 9 | 2" | SUPPLY |
| 10 | SMALL | LIFTING LUG |
| 11 | 4" | SECONDARY CONTAINMENT EMERGENCY VENT |
| 12 | 2" | SECONDARY MONITOR PORT |
| 13 | 2" | SECONDARY WORKING VENT |

TANK SPECIFICATIONS

VENTING CAPACITY: PRIMARY TANK - 42,100 CUBIC FEET PER HOUR
 SECONDARY TANK - 52,700 CUBIC FEET PER HOUR
 MATERIAL: PRIMARY TANK - 10 GA.
 SECONDARY TANK - 10 GA.



| PRODUCT CODE | GALLONS | DESCRIPTION | OVERALL SIZE | SHIP WT. |
|---------------|---------|---------------------------------------------|------------------------------|----------|
| GCAA1120DS001 | 120 | UL-142 DOUBLE WALL GEN CUBE TANK W/SPILLBOX | 3'-2" L X 2'-10" W X 4'-1" H | 485 LBS. |

THIS DRAWING AND DESIGN SHOWN HEREIN IS THE PROPERTY OF CONTAINMENT SOLUTIONS. USE OR COPIES THEREOF CANNOT BE MADE WITHOUT WRITTEN CONSENT.

CUSTOMER NAME: _____
APPROVED BY: _____ DATE: _____

CONTAINMENT SOLUTIONS

DRAWN BY: D. ROVANG DATE DRAWN: 01-01-14
 DWG NUMBER: 5104002 SCALE: 1:24
 REV: _____ REV BY: _____ DATE: _____ SHEET: 1 OF 1