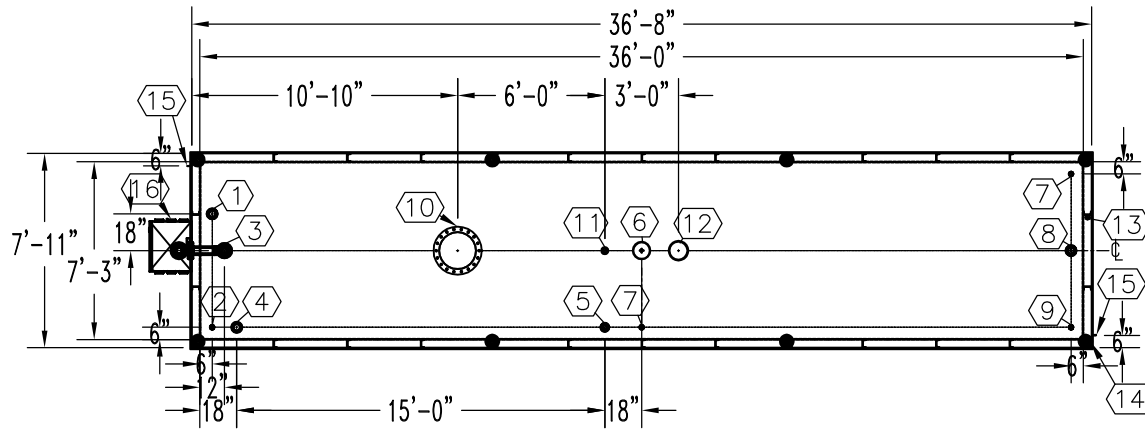
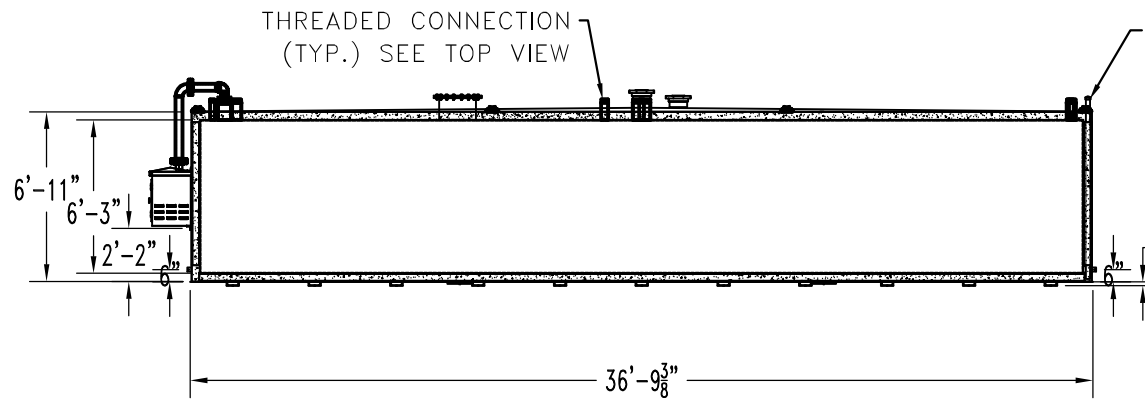


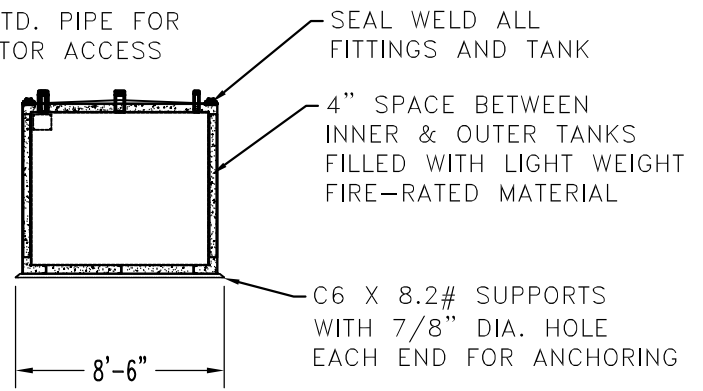
NOTE:
 OVERALL SHIPPING DIMENSION: 38'-8" L X 8'-6" W X 8'-5" H



TOP VIEW



ELEVATION



END VIEW

ITEM	SIZE	SUGGESTED FUNCTION
1	4"	PHASE 1 VAPOR RECOVERY/SPARE
2	2"	MECHANICAL GAUGE
3	6"	FILL
4	4"	ELECTRONIC LEVEL GAUGE
5	3"	PRIMARY WORKING VENT
6	8"	PRIMARY TANK EMERGENCY VENT
7	2"	SPARE
8	4"	SUBMERSIBLE PUMP
9	2"	SUCTION PUMP/SPARE
10	18"	ABOVE LIQUID MANHOLE, DWG."MHB001"
11	2"	SECONDARY WORKING VENT
12	8"	SECONDARY CONTAINMENT EMERGENCY VENT
13	2"	SECONDARY MONITOR PIPE
14	4"	FIRE RATED MATERIAL FILL
15	2" X 2"	GROUND CLIP, DWG."MCB004"
16	3" PIPE	REMOTE FILL BOX, DWG."SBB006"

TANK SPECIFICATIONS

VENTING CAPACITY: PRIMARY TANK - 462,600 CUBIC FEET PER HOUR
 SECONDARY TANK - 496,300 CUBIC FEET PER HOUR
 MATERIAL: PRIMARY TANK - 1/4" THICK
 SECONDARY TANK - 3/16" THICK

PRODUCT CODE	GALLONS	DESCRIPTION	OVERALL SIZE	SHIP WT.
V4AA112MVS514	12,000	U/L-2085 ABOVE GROUND VAULT TANK	36'-8" L X 7'-11" W X 7'-1" H	49,150 LBS.

THIS DRAWING AND DESIGN SHOWN HEREIN IS THE PROPERTY OF CONTAINMENT SOLUTIONS. USE OR COPIES THEREOF CANNOT BE MADE WITHOUT WRITTEN CONSENT.

CUSTOMER NAME: _____
APPROVED BY: _____ DATE: _____

CONTAINMENT SOLUTIONS

DRAWN BY: D. ROVANG DATE DRAWN: 10-10-03
 DWG NUMBER: 5101163 SCALE: 1:96
 REV:C REV BY:DAR DATE: 01-01-14 SHEET:1 OF 1