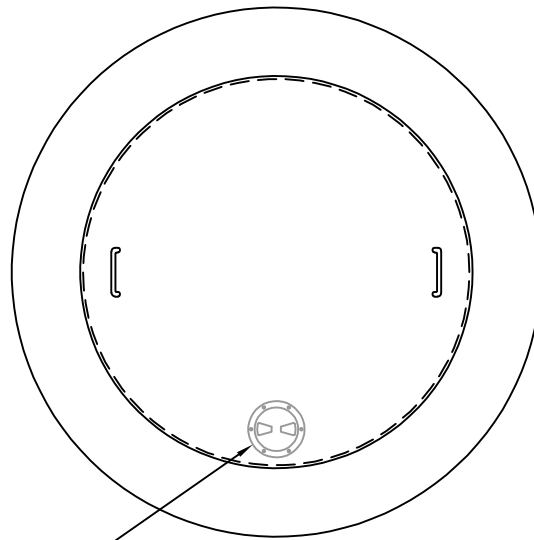


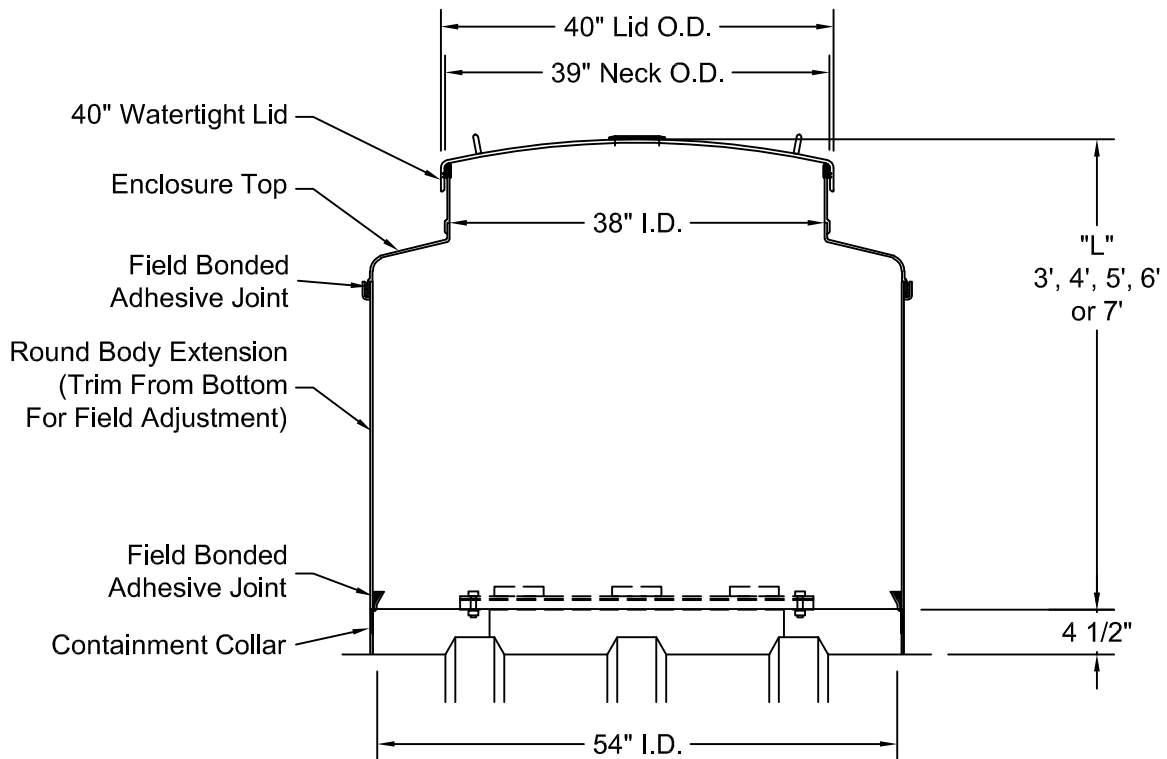
SINGLE-WALL ROUND TANK SUMP

MODEL SW RTS (WT40) 54

(Turbine Sump)



Optional 4" Inspection Port



Approval Signature:	_____
Approval Date:	_____
Project Name:	_____
P.O Number:	_____
Qty Req'd:	_____
Body Ext Length:	_____



CONTAINMENT
SOLUTIONS®

SW RTS (WT40) 54S.DWG
1/2013-12/2015