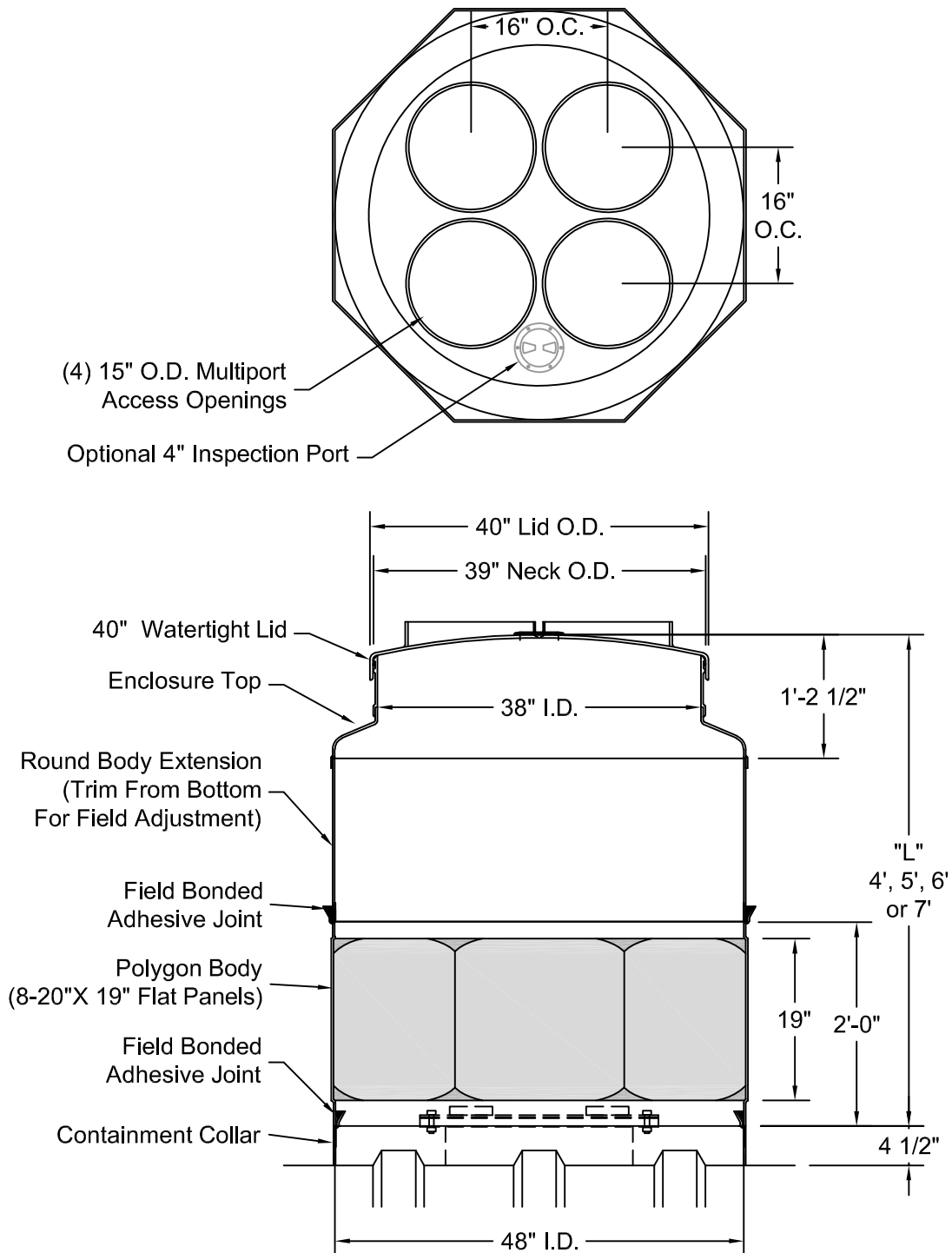


SINGLE-WALL POLYGON TANK SUMP

MODEL SW PTS (WT40) 48/8 (FV4/15/16)

(Fill/Vapor Sump-OPW)



Approval Signature: _____
 Approval Date: _____
 Project Name: _____
 P.O Number: _____
 Qty Req'd: _____
 Body Ext Length: _____



CONTAINMENT SOLUTIONS®

SW PTS (WT40) 48_8S (FV4 15 16).DWG
 3/2017