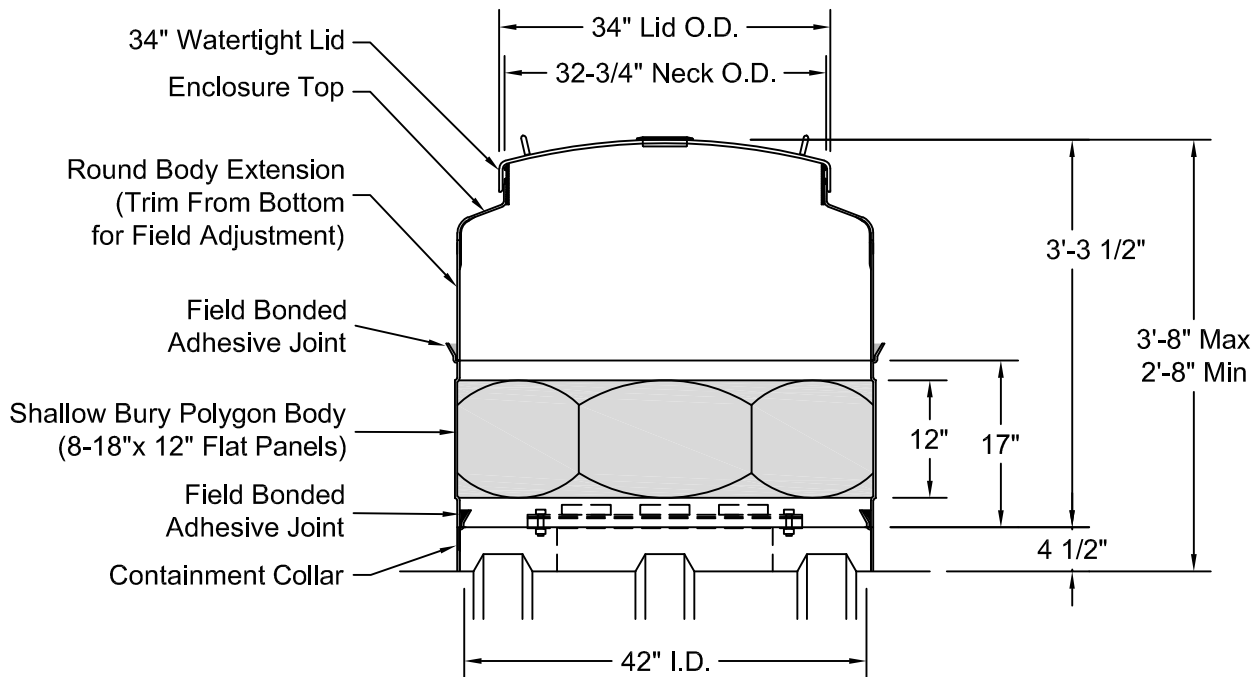
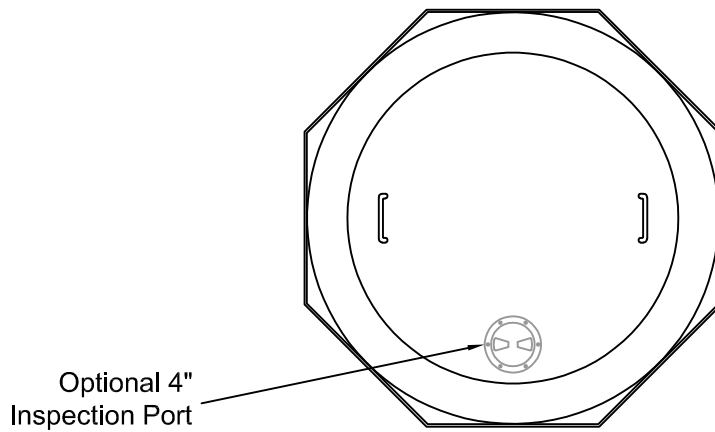


# SINGLE-WALL POLYGON TANK SUMP

MODEL SW PTS (WT34) 42/8-3SBS

(Short Bury Watertight Turbine Sump)



Approval Signature: \_\_\_\_\_  
Approval Date: \_\_\_\_\_  
Project Name: \_\_\_\_\_  
P.O Number: \_\_\_\_\_  
Qty Req'd: \_\_\_\_\_