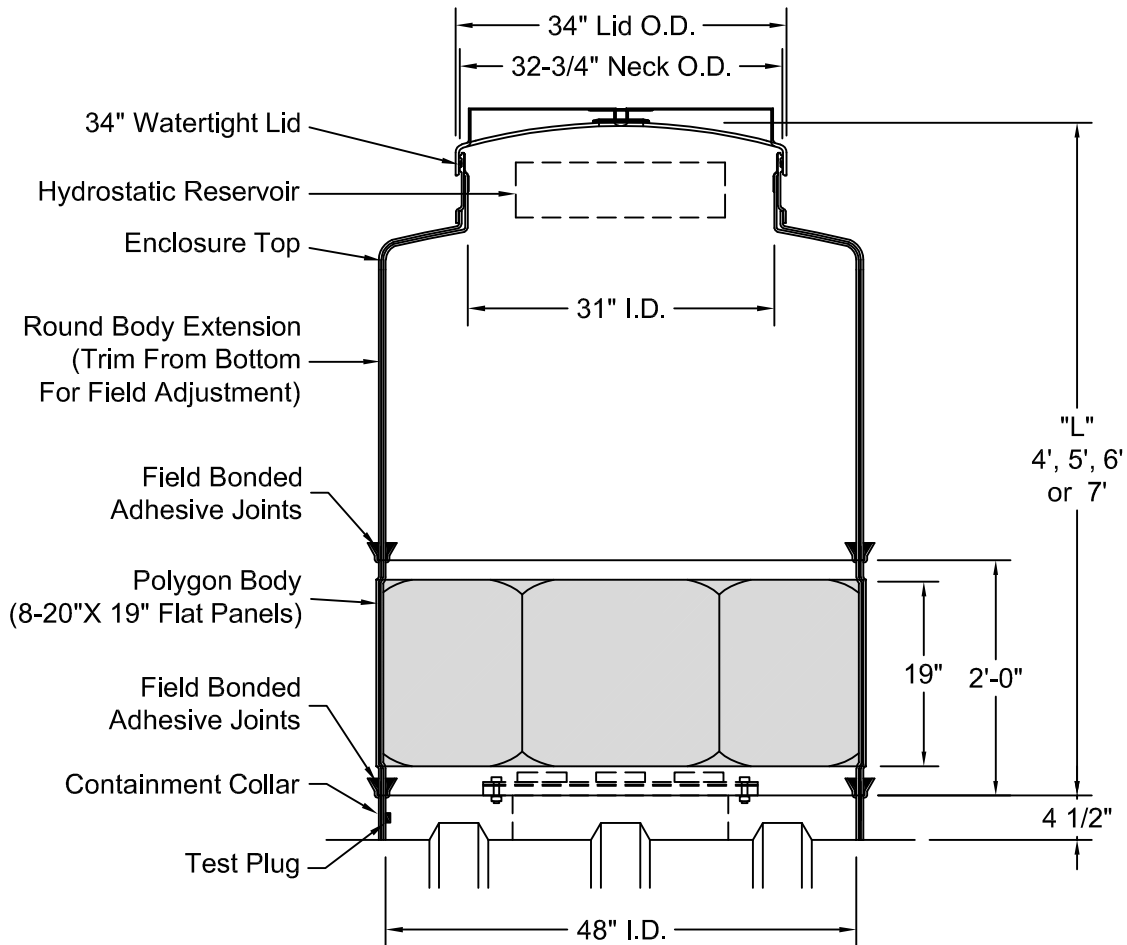
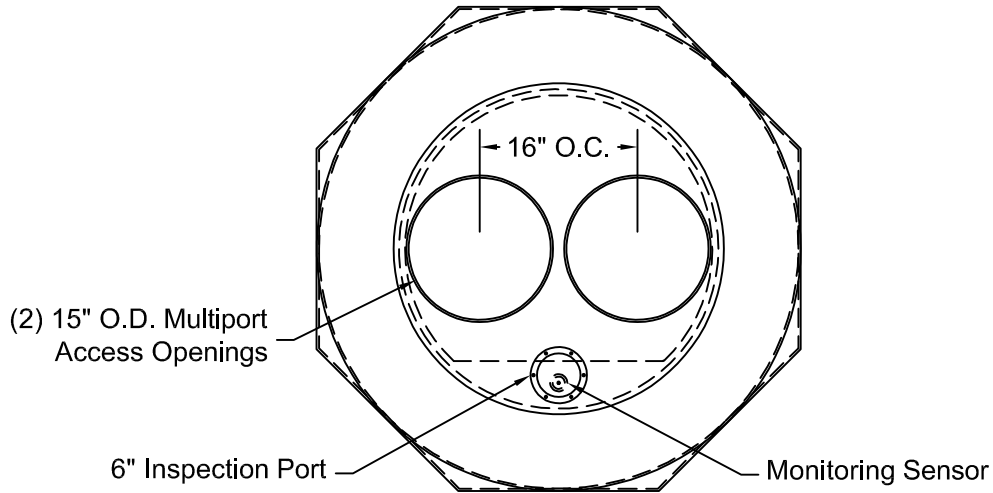


DOUBLE-WALL POLYGON TANK SUMP

MODEL DW PTS (WT34) 48/8 (FV2 15 16) (AD)

(Fill/Vapor Sump / Adhesive Kit)



Approval Signature: _____
 Approval Date: _____
 Project Name: _____
 P.O Number: _____
 Qty Req'd: _____
 Body Ext Length: _____



CONTAINMENT
SOLUTIONS®