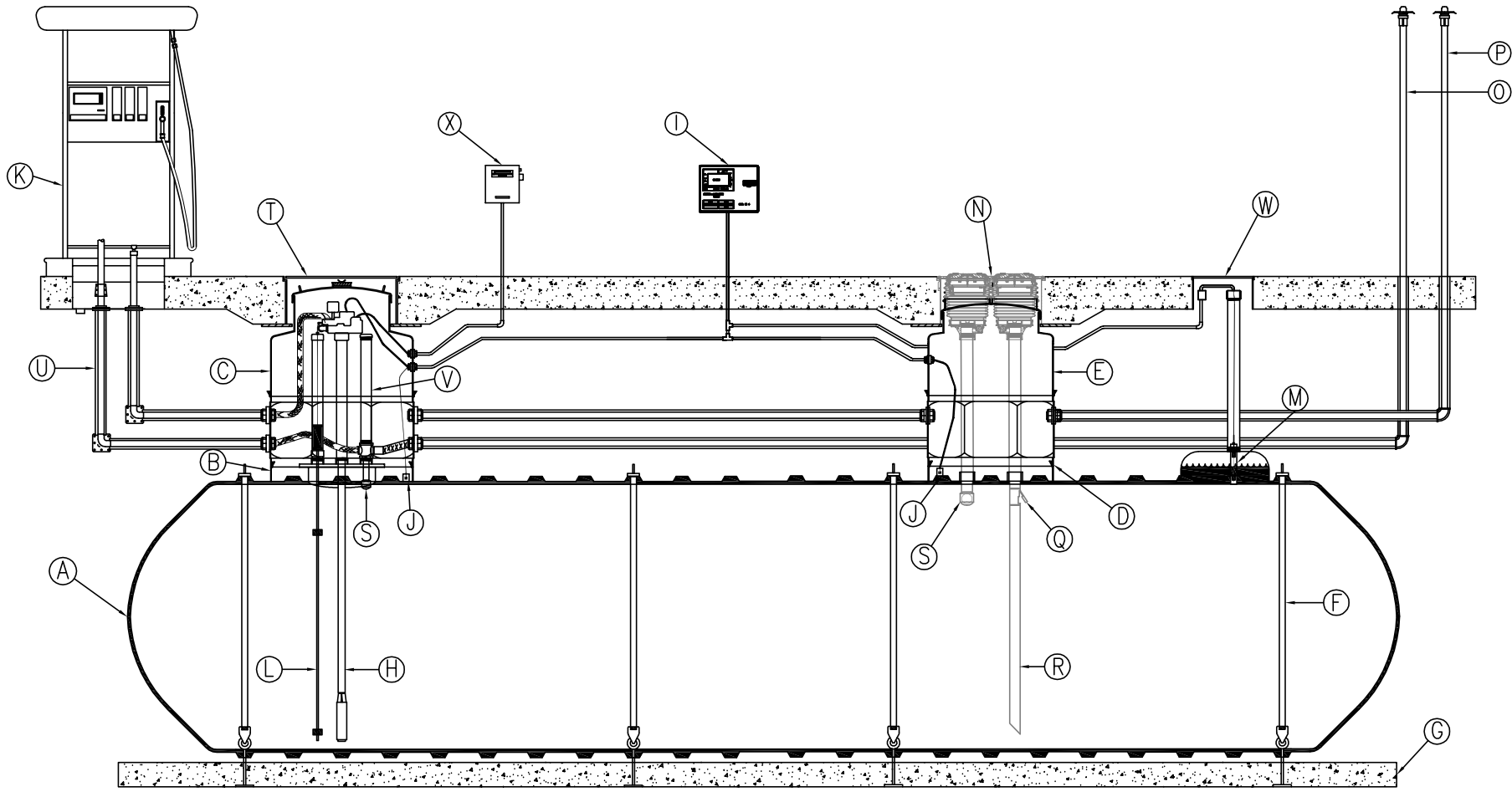


MARK	QTY	SIZE	EQUIPMENT LISTING	MARK	QTY	SIZE	EQUIPMENT LISTING	MARK	QTY	SIZE	EQUIPMENT LISTING
A	1	8'	HYDROSTATIC DOUBLE WALL TANK	I	1*		INVENTORY & LEAK DETECTION PANEL	Q	1*		OVERFILL PREVENTION VALVE
B	1	48"	SINGLE WALL CONTAINMENT COLLAR	J	2*		CONTAINMENT COLLAR SENSOR	R	1*	4"	DROP TUBE
C	1	48"	SW PTS WATER TIGHT TURBINE SUMP	K	1*		FUEL DISPENSER w/UDC	S	2*	4"	BALL FLOAT ASSEMBLY
D	1	42"	SINGLE WALL CONTAINMENT COLLAR	L	1*		TANK INVENTORY GAUGE	T	1*	36"	WATERTIGHT MANHOLE
E	1	42"	SW PTS FILL/VAPOR SUMP	M	1*		HYDROSTATIC TANK RESERVOIR SENSOR	U	*	3"x2"	DOUBLE WALL FRP PIPE
F	4		HOLD DOWN SPLIT STRAP ASSEMBLY	N	1*	36"	FILL/VAPOR MANHOLE	V	1*	4"	EXTRACTOR HOUSING w/CAP
G	4	16'	12"x 12" CONCRETE DEADMAN ANCHORS	O	1*	2"	PRIMARY TANK VENT	W	1*	18"	MANHOLE
H	1*		SUBMERSIBLE PUMP w/LEAK DETECTION	P	1*	2"	SUMP VENTS	X	1*		PUMP CONTROL PANEL

NOTE: * SUPPLIED BY OTHERS



TYPICAL PETROLEUM ILLUSTRATION DRAWING
 (8') 12,000 DOUBLE-WALL TANK
 W / SINGLE-WALL TURBINE AND FILL / VAPOR SUMPS



THIS DIAGRAM IS THE PROPERTY OF CONTAINMENT SOLUTIONS, INC., AND IS FOR ILLUSTRATION PURPOSES ONLY. IT IS NOT TO BE RELIED UPON FOR ANY OTHER PURPOSE. NO WARRANTY OF MERCHANTABILITY OF FITNESS FOR A PARTICULAR PURPOSE OR OF ANY OTHER KIND, EXPRESSED OR IMPLIED IS HEREBY MADE. COPYRIGHT © 2009 CONTAINMENT SOLUTIONS, INC. ALL RIGHTS RESERVED.