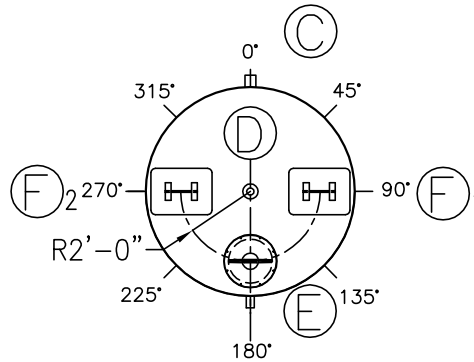
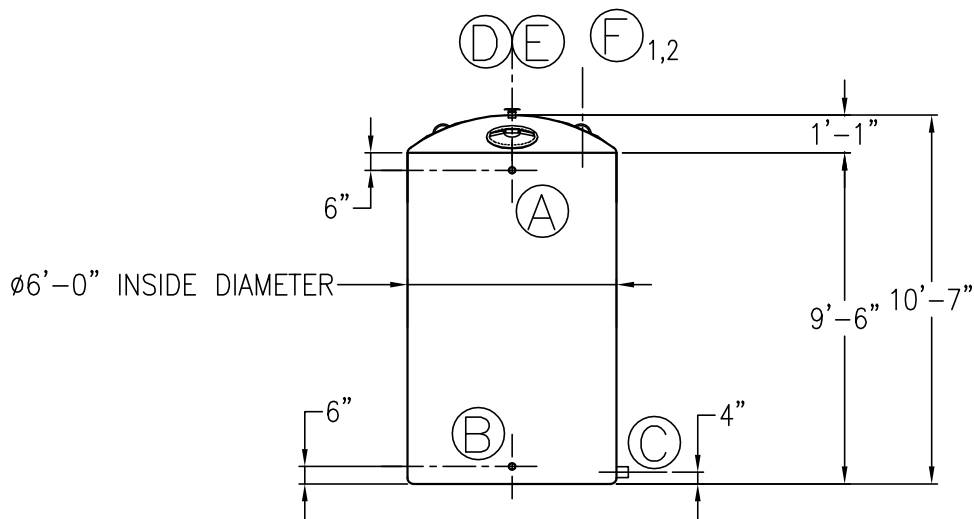


# Fiberglass Aboveground Water Storage Tank Model RWH AGT (6') 2,000



**TOP VIEW**  
(TRUE ORIENTATION)



**ELEVATION**  
(ITEMS SHOWN IN THIS VIEW MAY BE ROTATED FOR CLARITY)  
(SEE TOP VIEW FOR TRUE ORIENTATION)

**SCHEDULE OF FITTINGS AND ACCESSORIES**

MARK	QTY.	SIZE	TYPE	DESCRIPTION	REMARKS
(A)	1	ø2"	FRP	FNP THREADED HALF COUPLING	FILL-LINE CONNECTION
(B)	1	ø2"	FRP	FNP THREADED HALF COUPLING	FILL-LINE CONNECTION
(C)	1	ø3"	FRP	FNP THREADED HALF COUPLING	DRAIN-LINE CONNECTION
(D)	1	ø2"	POLY	SCREW ON TOP POLY VENT	VENT
(E)	1	ø18"	POLY	SCREWED ON TOP MANWAY	INSPECTION
(F)	2	STD	STL	LIFTING LUG	ZINC-PLATED
(G)					
(H)					
(I)					

**Available Finishes (Choose One)**

- Desert Sand Premium Finish
- Forest Green Premium Finish



**CONTAINMENT SOLUTIONS®**

File: P:\JODY HARMON\Logo's for Drawings\CSL\_horizontal for Jodi final.pdf  
Warning for invalid reference

PROJECT NAME/LOCATION:				6'-0"Ø x 10'-7" 2,000 GALLONS			DATE: 1/1/2014	
APPROVAL SIGNATURE:		SIGNATURE DATE:		DRAWN BY: R.MOEN	REV #:	REV DATE:	REV BY:	DWG NUMBER: RWH AGT(72)-2000.DWG