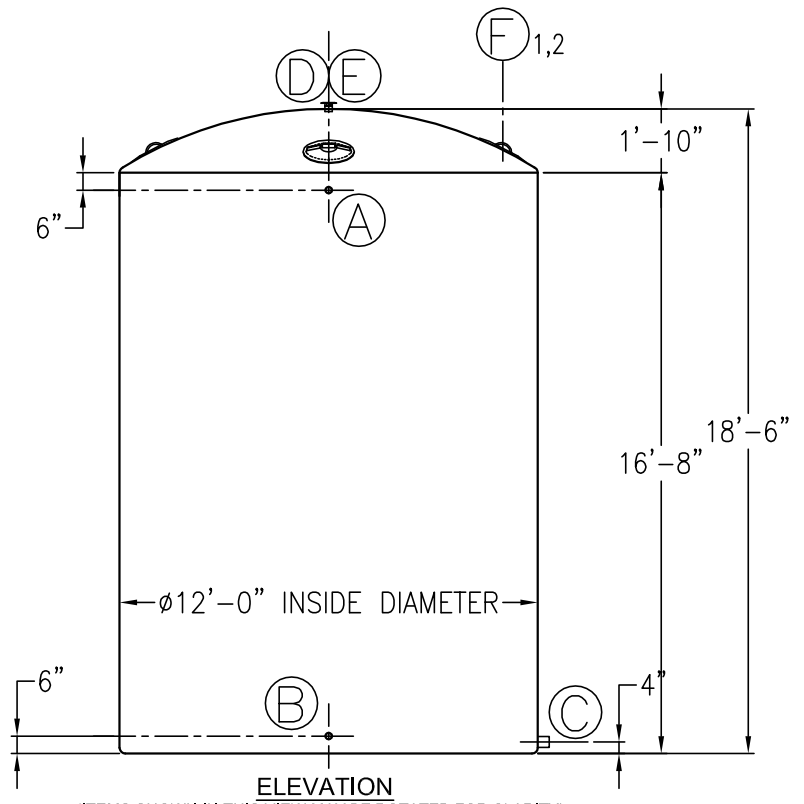
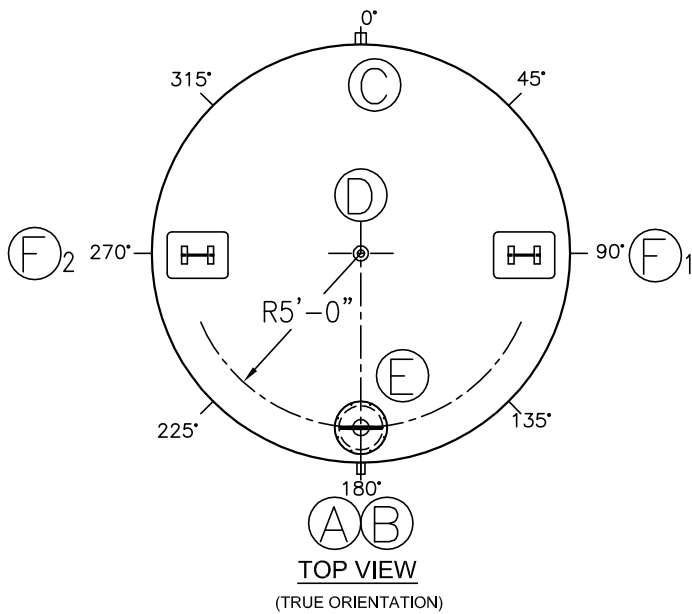


# Fiberglass Aboveground Water Storage Tank Model RWH AGT (12') 14,000



(ITEMS SHOWN IN THIS VIEW MAY BE ROTATED FOR CLARITY  
(SEE TOP VIEW FOR TRUE ORIENTATION))

### SCHEDULE OF FITTINGS AND ACCESSORIES

MARK	QTY.	SIZE	TYPE	DESCRIPTION	REMARKS
(A)	1	ø2"	FRP	FNP THREADED HALF COUPLING	FILL-LINE CONNECTION
(B)	1	ø2"	FRP	FNP THREADED HALF COUPLING	FILL-LINE CONNECTION
(C)	1	ø3"	FRP	FNP THREADED HALF COUPLING	DRAIN-LINE CONNECTION
(D)	1	ø2"	POLY	SCREW ON TOP POLY VENT	VENT
(E)	1	ø18"	POLY	SCREWED ON TOP MANWAY	INSPECTION
(F)	2	STD	STL	LIFTING LUG	ZINC-PLATED
(G)					
(H)					
(I)					

**Available Finishes (Choose One)**

- Desert Sand Premium Finish
- Forest Green Premium Finish



**CONTAINMENT  
SOLUTIONS**

PROJECT NAME/LOCATION:				<b>12'-0"Ø x 18'-6" 14,000 GALLONS</b>			DATE: 1/1/2014	
APPROVAL SIGNATURE:		SIGNATURE DATE:		DRAWN BY: R.MOEN	REV #:	REV DATE:	REV BY:	DWG NUMBER: RWH AGT(144)-14000.DWG