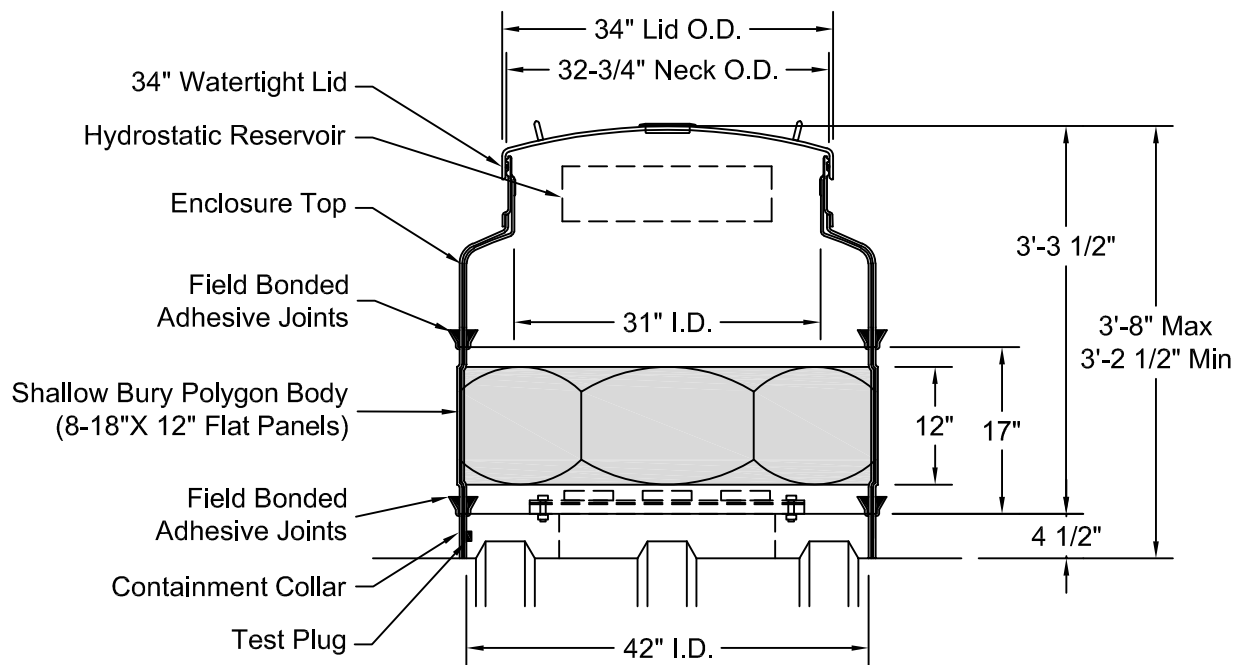
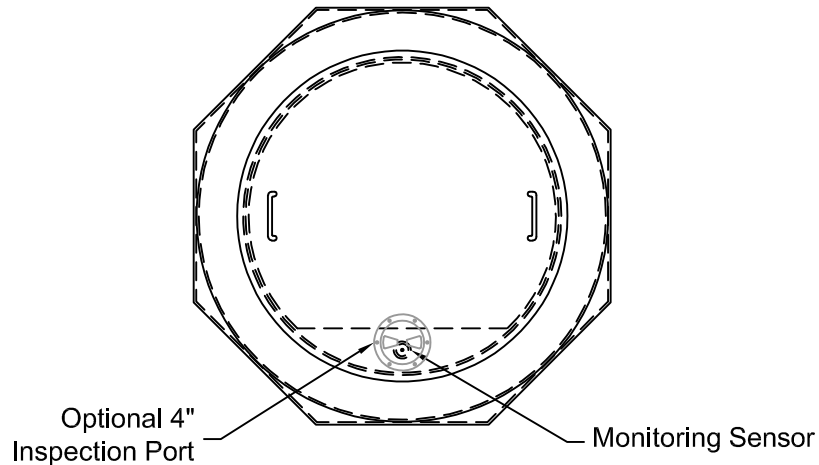


DOUBLE-WALL POLYGON TANK SUMP

MODEL DW PTS (WT34) 42/8-3SBS

(Short Bury Watertight Turbine Sump)



Approval Signature: _____
Approval Date: _____
Project Name: _____
P.O Number: _____
Qty Req'd: _____



CONTAINMENT
SOLUTIONS®

DW PTS (WT34) 428-3SBS.DWG
1/1/2012-12/2015