

NOTE:

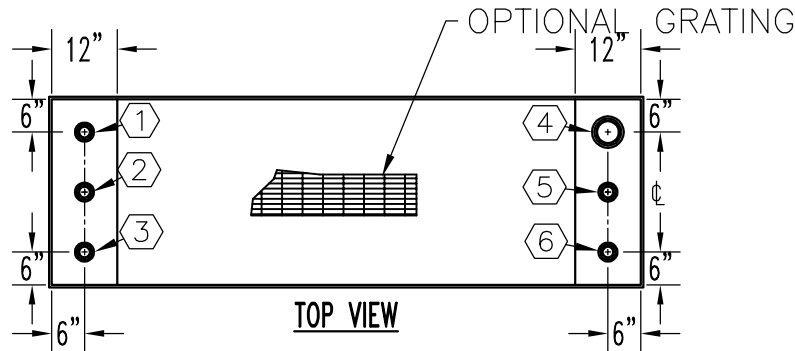
OVERALL SHIPPING DIMENSION: 9'-1" L X 2'-11" W X 3'-1" H

ITEM	SIZE	SUGGESTED FUNCTION
1	2"	SPARE
2	2"	MECHANICAL GAUGE/ SPARE
3	2"	FILL
5	2"	PRIMARY TANK WORKING VENT
6	2"	PUMP/SPARE
4	4"	PRIMARY TANK EMERGENCY VENT

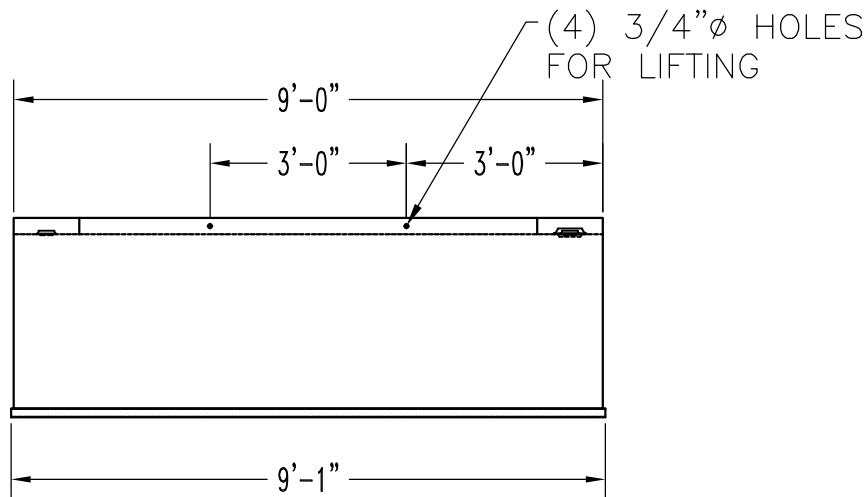
TANK SPECIFICATIONS

VENTING CAPACITY: 94,800 CUBIC FEET PER HOUR

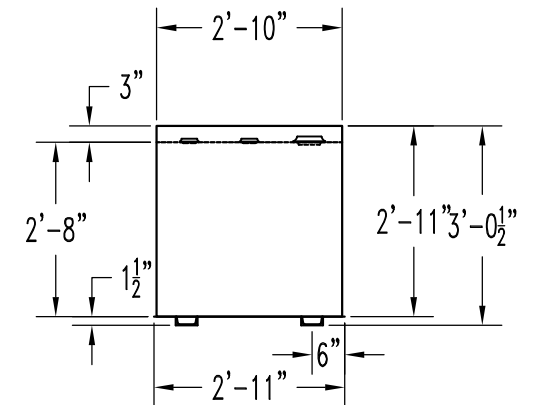
MATERIAL: PRIMARY TANK - 3/16" THK.



TOP VIEW



ELEVATION VIEW



END VIEW

PRODUCT CODE	GALLONS	DESCRIPTION	OVERALL SIZE	SHIP WT.
CWAA1500SS000	500	UL-142 SINGLE WALL CATWALK TANK	9'-1" L X 2'-11" W X 3'-1" H	1,200 LBS.

THIS DRAWING AND DESIGN SHOWN HEREIN IS THE PROPERTY OF CONTAINMENT SOLUTIONS. USE OR COPIES THEREOF CANNOT BE MADE WITHOUT WRITTEN CONSENT.

CUSTOMER NAME: _____
APPROVED BY: _____ DATE: _____

CONTAINMENT SOLUTIONS

DRAWN BY: D. ROVANG DATE DRAWN: 01-01-14
 DWG NUMBER: 5100222 SCALE: 1=36
 REV: _____ REV BY: _____ DATE: _____ SHEET: 1 OF 1