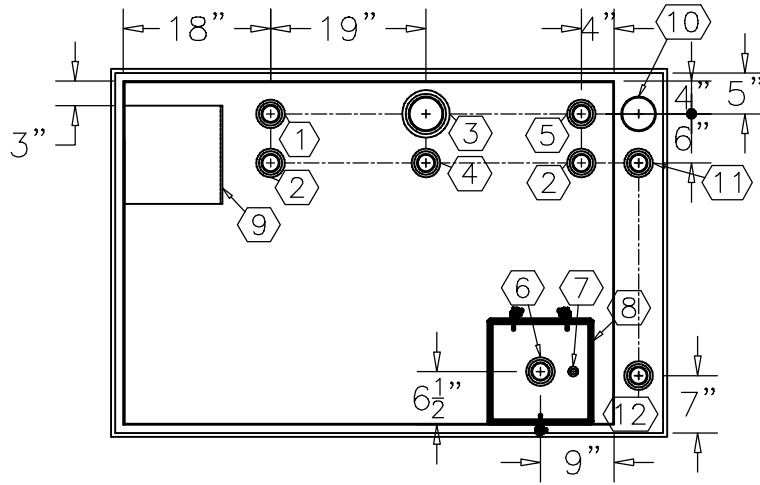


**NOTE:**  
**OVERALL SHIPPING DIMENSION: 5'-8" L X 3'-9" W X 4'-0" H**

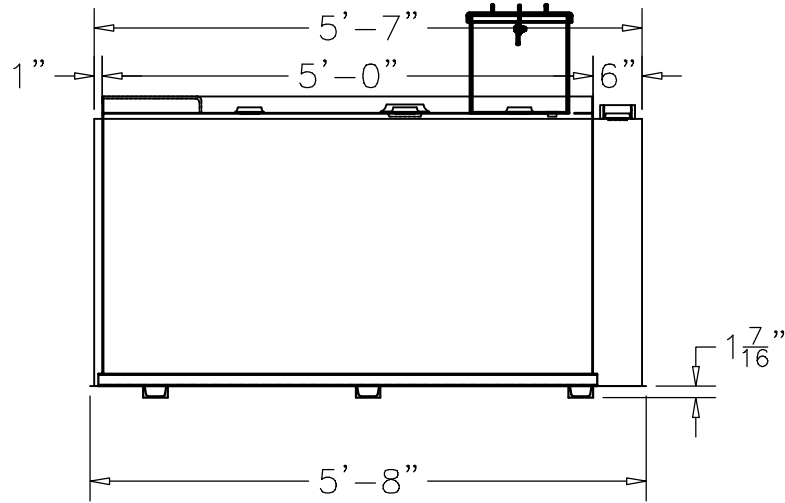


ITEM	SIZE	SUGGESTED FUNCTION
1	2"	PUMP SUPPLY
2	2"	SPARE
3	4"	PRIMARY TANK EMERGENCY VENT
4	2"	MECHANICAL GAUGE/ SPARE
5	2"	PRIMARY TANK WORKING VENT
6	2"	FILL
9	12" X 12"	PUMP BRACKET, DWG."PBB002"
7	1/2"	DRAIN FOR SPILLBOX
8	7 GAL.	SPILLBOX, DWG."SBB002"
10	4"	SECONDARY CONTAINMENT EMERGENCY VENT
11	2"	SECONDARY MONITOR PORT/ SPARE
12	2"	SECONDARY WORKING VENT

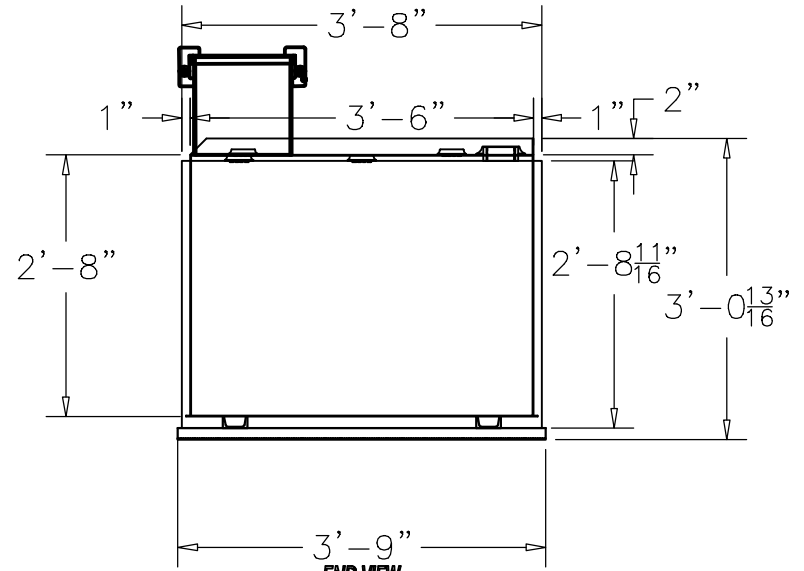
**TANK SPECIFICATIONS**

VENTING CAPACITY: PRIMARY TANK - 73,700 CUBIC FEET PER HOUR  
 SECONDARY TANK - 84,200 CUBIC FEET PER HOUR  
 MATERIAL: PRIMARY TANK - 10 GA.  
 SECONDARY TANK - 10 GA.

**TOP VIEW**



**ELEVATION**



**END VIEW**

PRODUCT CODE	GALLONS	DESCRIPTION	OVERALL SIZE	SHIP WT.
BTAA1350DS001	350	UL-142 DOUBLE WALL BENCHTOP TANK W/SPILLBOX	5'-8" L X 3'-9" W X 3'-1" H	1,090 LBS.

**CONTAINMENT SOLUTIONS®**

THIS DRAWING AND DESIGN SHOWN HEREIN IS THE PROPERTY OF CONTAINMENT SOLUTIONS. USE OR COPIES THEREOF CANNOT BE MADE WITHOUT WRITTEN CONSENT.

CUSTOMER NAME: \_\_\_\_\_  
**APPROVED** BY: \_\_\_\_\_ DATE: \_\_\_\_\_

DRAWN BY: D. ROVANG DATE DRAWN: 01-01-14  
 DWG NUMBER: 5100247 SCALE: 1:24  
 REV: \_\_\_\_\_ REV BY: \_\_\_\_\_ DATE: \_\_\_\_\_ SHEET: 1 OF 1