

POST
TYP AT EACH
"A-A"

1 1/4" STD. PIPE
HANDRAIL
(BOTH SIDES)

1 1/2" X 1 1/2"
X 1/4" ANGLE

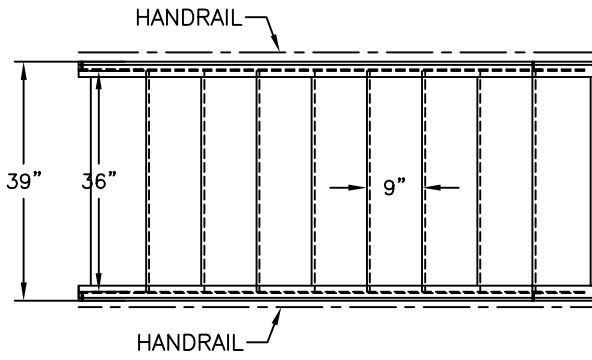
2" X 1/4"
FLAT BAR

C10" @8.4#

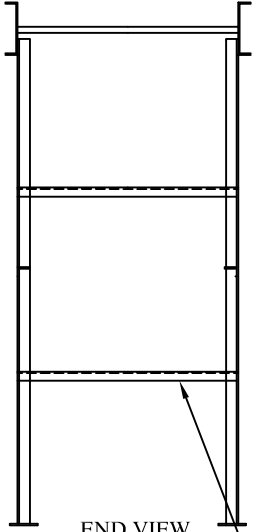
ANCHOR CLIP
2" X 2" X 1/4"
W/3/4" DIA HOLE

2 1/2" X 2 1/2"
X 5/16" ANGLE

4" X 4" X 1/4" BASE PL.
W/3/4" DIA HOLE

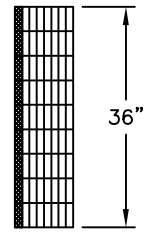


PLAN



END VIEW
LEG BRACING

1 1/2" X 1 1/2"
X 3/16" ANGLES



TYP. STAIR TREAD

UPGRADE:
OPTIONAL GALVANIZED FINISH.

PRODUCT CODE	GALLONS	DESCRIPTION	OVERALL SIZE	SHIP WT.
STB008		9 STEP STAIRS W/HANDRAIL	7'-1" L X 3'-3" W X 10'-10" H	850 LBS.
THIS DRAWING AND DESIGN SHOWN HEREIN IS THE PROPERTY OF CONTAINMENT SOLUTIONS. USE OR COPIES THEREOF CANNOT BE MADE WITHOUT WRITTEN CONSENT.				
CUSTOMER NAME		APPROVED BY: _____		DATE: _____

CONTAINMENT SOLUTIONS

DRAWN BY: D. ROVANG	DATE DRAWN: 01-01-14
DWG NUMBER: STB008	SCALE: 1:32
REV: _____	REV BY: _____
DATE: _____	SHEET: 1 OF 1