

# FLOWTITE PRODUCTS

## GREASE INTERCEPTOR

**NOTE:** CUSTOMER SUPPLIED "ASTM C-1644" APPROVED FLEXIBLE PIPING COUPLING REQUIRED ON TANGENTIALLY MTD. NOZZLES, & PIPES

24" (23.5"O.D.) ACCESS COLLAR w/ADHESIVE CHANNEL & 22 1/2" TANK TOP CUT-OUT (3 TYP.)

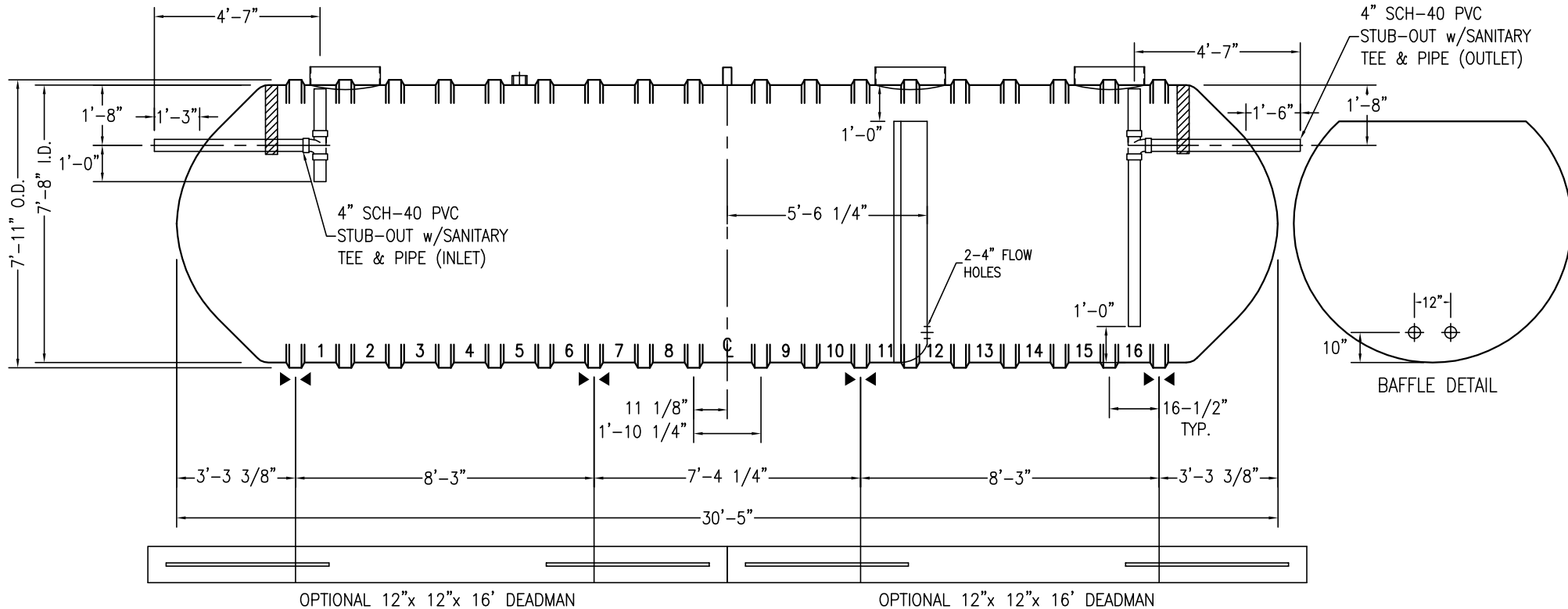


SHELL CODES: 2-E8S09SD



THIS IS AN IAPMO APPROVED TANK THE ONLY CHANGE ALLOWED TO THIS TANK IS TO INCREASE THE INLET AND OUTLET PIPE DIAMETER. MFG. PER. PE-C22.85

**CAPACITIES:**  
 LIQUID OPERATING CAPACITY = 7937 GALS  
 FREE SURFACE AREA OF LIQUID = 182 SQ/FT  
 GREASE/FOG STORAGE = 4235 GALS/32186 LBS



**NOTES:**

- ☒ HOLD DOWN STRAP CLIP
- ▶◀ HOLD DOWN STRAP LOCATION
- TYPE "13" LIFT LUG - SD
- TYPE "13" LIFT LUG - HD

SWT G-6 (8')-7900 2B-IG		DATE:	1/1/2014
IAPMO GREASE INTERCEPTOR		DRAWN BY:	R.MOEN
<b>CONTAINMENT SOLUTIONS</b>	CAPACITY:	9,696	
	WEIGHT: DRY/WET	3100	
		REVISED:	
		DWG NUMBER:	879CSW-IG