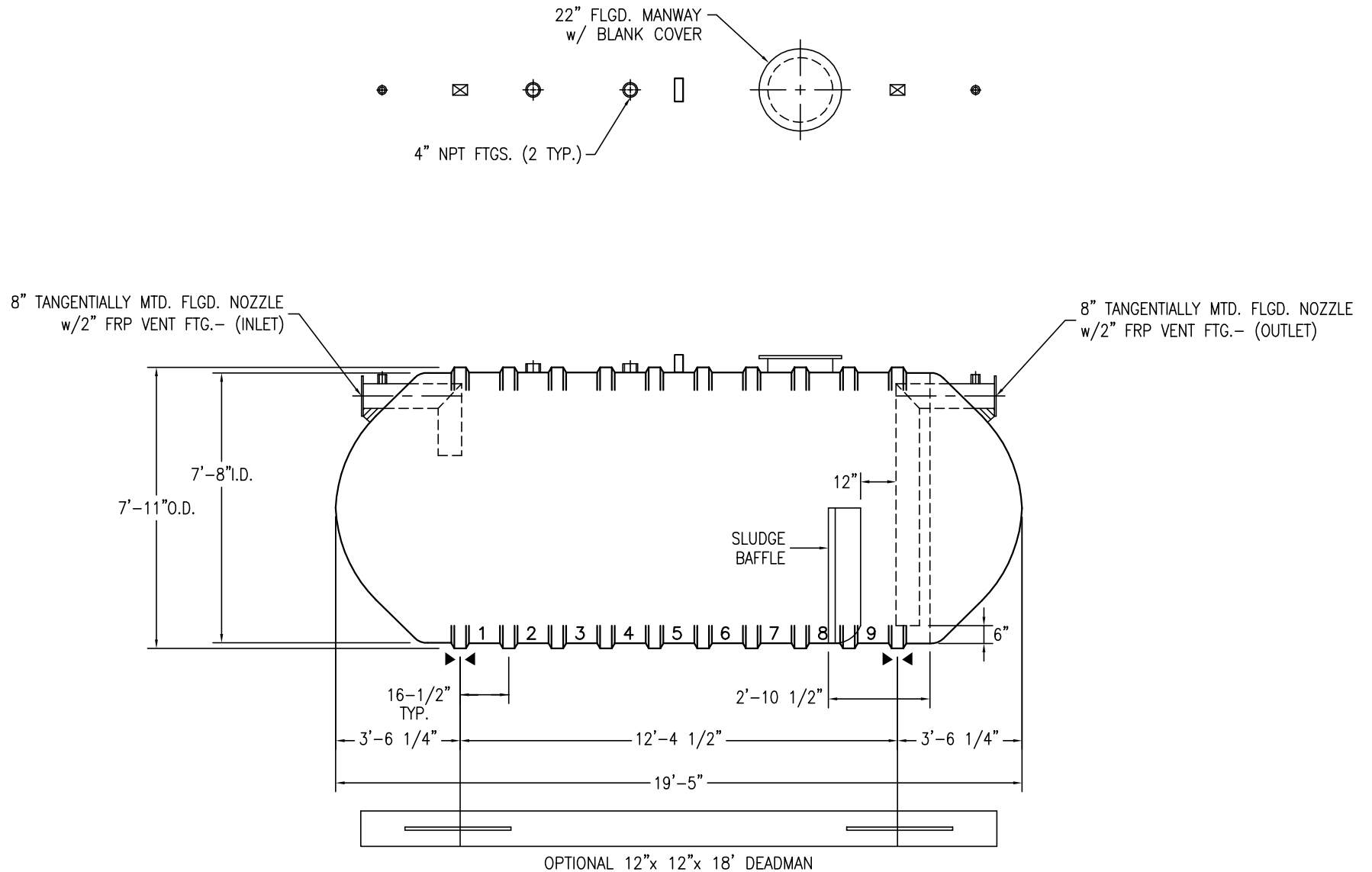


SHELL CODES: 1-E8S10SD,  
1-E8SECS



NOTES:

- ☒ HOLD DOWN STRAP CLIP
- ▶◀ HOLD DOWN STRAP LOCATION
- TYPE "13" LIFT LUG - SD
- TYPE "13" LIFT LUG - HD

SWT (8')-6000 CSI-1B INT		DATE: 1/1/2014
		DRAWN BY: K.A.SOEDER
<b>CONTAINMENT SOLUTIONS</b>	CAPACITY: SLUDGE/TOTAL 309/5897	REVISED:
	WEIGHT: DRY/WET 2400	DWG NUMBER: 86-2BSW