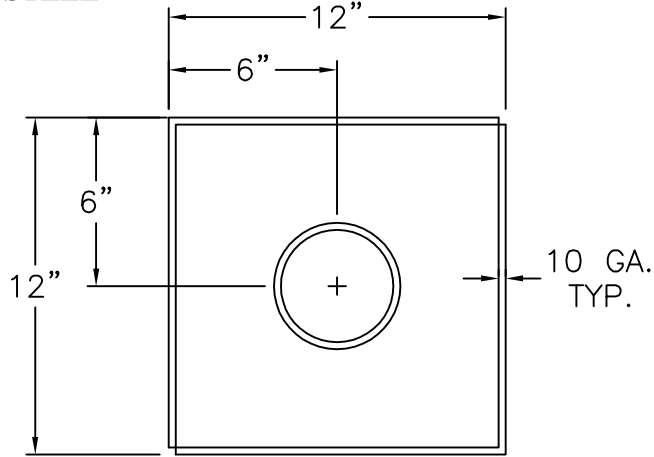
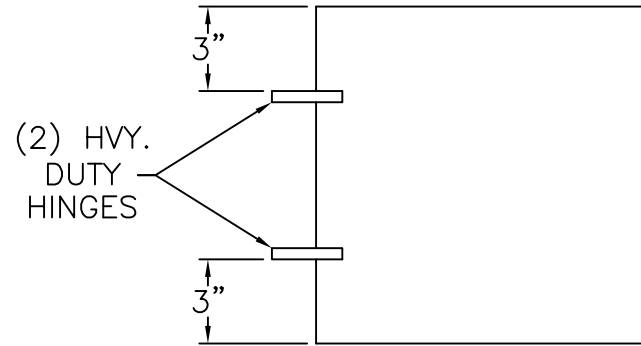


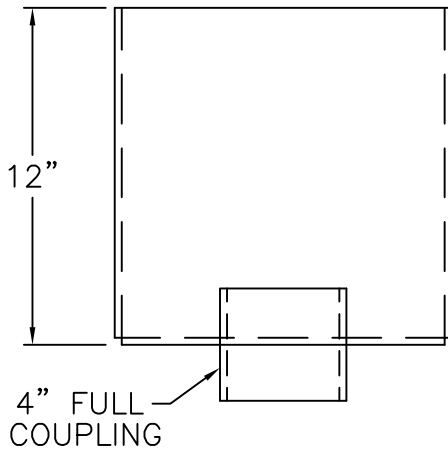
MATERIAL:
10 GA. CARBON STEEL



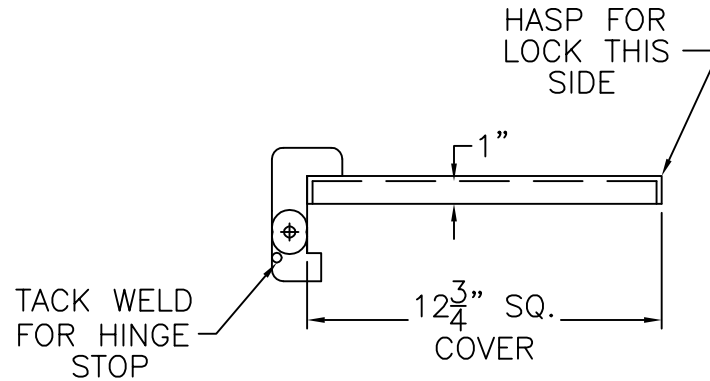
TOP VIEW



TOP VIEW(COVER)



ELEVATION



ELEVATION(COVER)

PRODUCT CODE	GALLONS	DESCRIPTION	OVERALL SIZE	SHIP WT.
SBB036	7	SPILLBOX W/4" COUPLING	12" L X 12" W X 12" H	
THIS DRAWING AND DESIGN SHOWN HEREIN IS THE PROPERTY OF CONTAINMENT SOLUTIONS. USE OR COPIES THEREOF CANNOT BE MADE WITHOUT WRITTEN CONSENT.				
CUSTOMER NAME	APPROVED BY: _____		DATE: _____	

CONTAINMENT SOLUTIONS

DRAWN BY: D. ROVANG	DATE DRAWN: 01-01-14
DWG NUMBER: SBB036	SCALE: 1:6
REV:	REV BY:
DATE:	SHEET: 1 OF 1