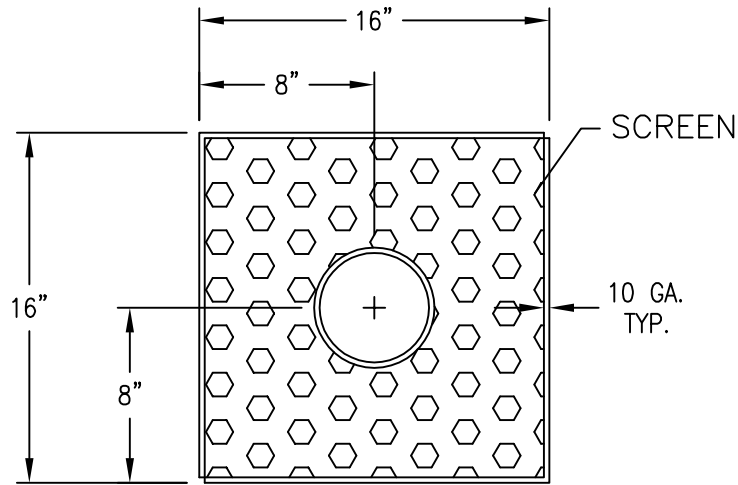
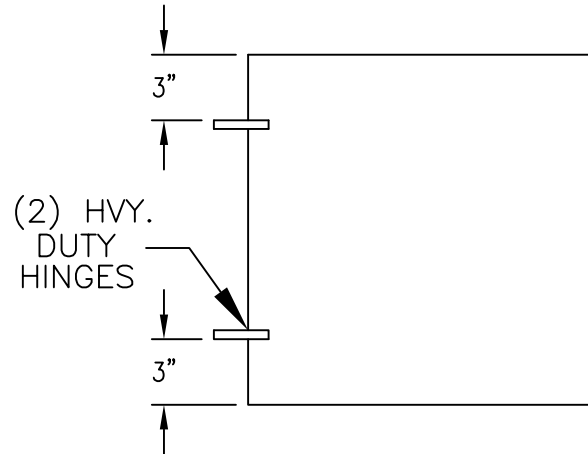


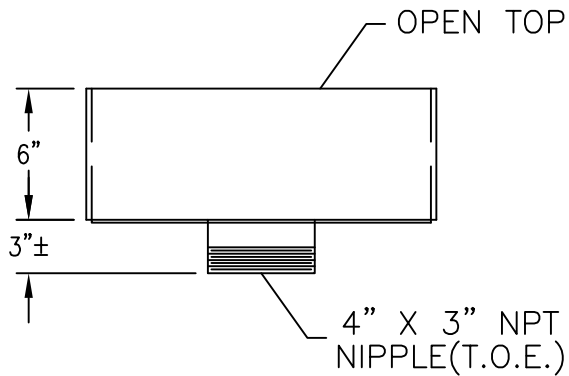
MATERIAL:
10 GA. CARBON STEEL



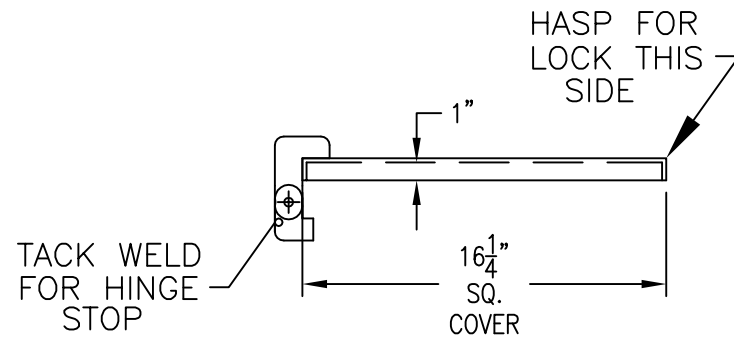
TOP VIEW



TOP VIEW(COVER)



ELEVATION



ELEVATION(COVER)

PRODUCT CODE	GALLONS	DESCRIPTION	OVERALL SIZE	SHIP WT.
SBB010	6	STEEL USED OIL RECEPTACLE	16" SQ. X 6" DEEP	

THIS DRAWING AND DESIGN SHOWN HEREIN IS THE PROPERTY OF CONTAINMENT SOLUTIONS. USE OR COPIES THEREOF CANNOT BE MADE WITHOUT WRITTEN CONSENT.

CUSTOMER NAME	APPROVED BY: _____	DATE: _____
---------------	---------------------------	-------------

CONTAINMENT SOLUTIONS

DRAWN BY: D. ROVANG	DATE DRAWN: 01-01-14
DWG NUMBER: SBB010	SCALE: SALES
REV: _____	REV BY: _____
DATE: _____	SHEET: 1 OF 1