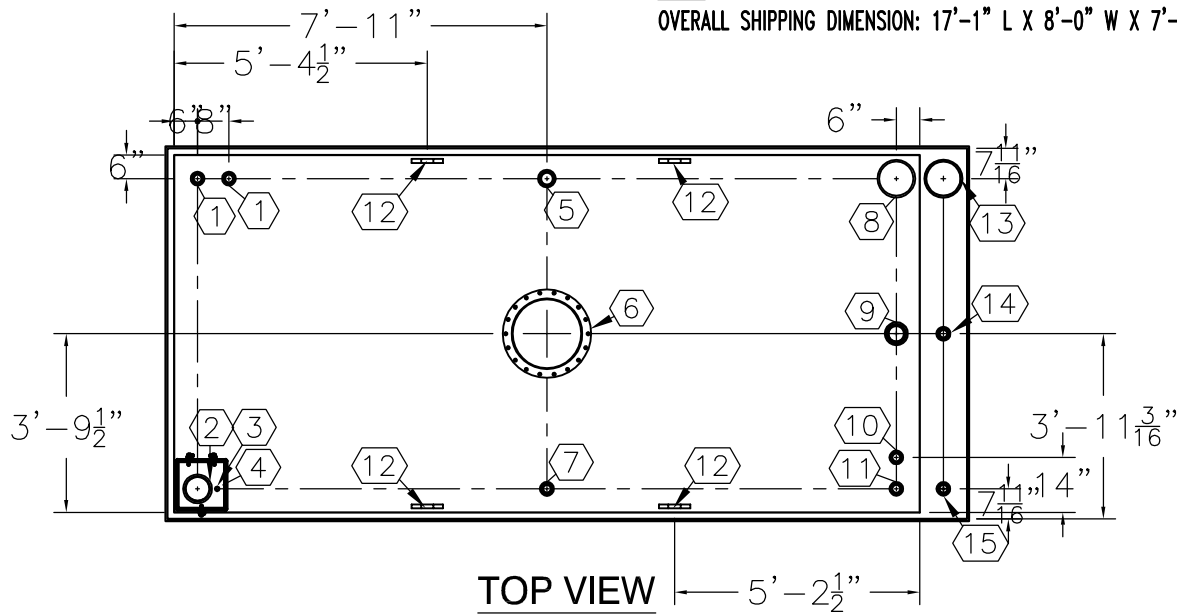
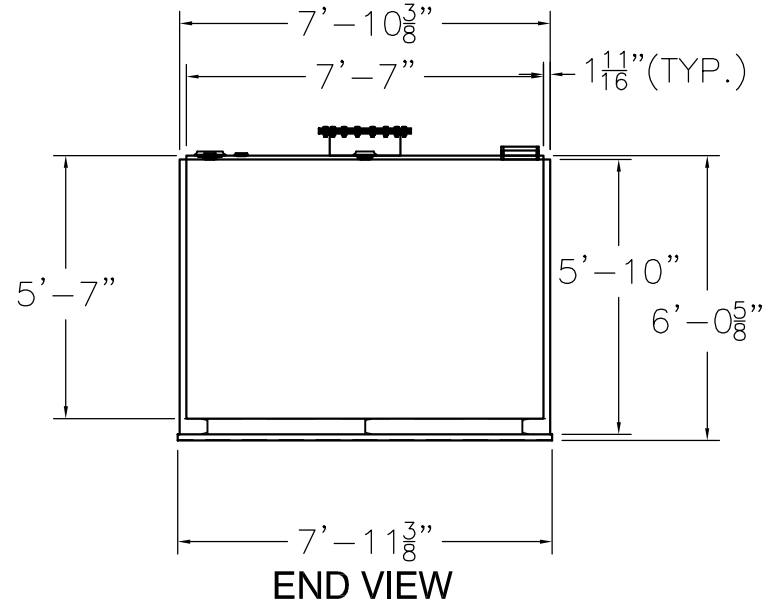
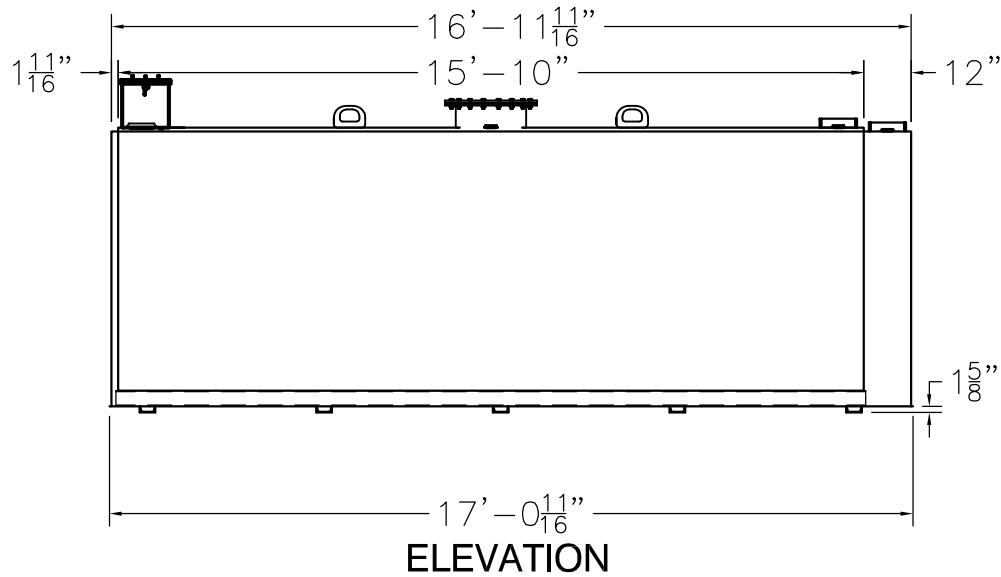


**NOTE:**  
**OVERALL SHIPPING DIMENSION: 17'-1" L X 8'-0" W X 7'-2" H**



ITEM	SIZE	SUGGESTED FUNCTION
1	2"	SPARE
2	6"	FILL
3	1/2"	DRAIN FOR SPILLBOX
4	7 GAL.	SPILLBOX, DWG."SBB002"
5	3"	PRIMARY TANK WORKING VENT
6	18"	ABOVE LIQUID MANHOLE, DWG."MHBO05"
7	2"	MECHANICAL GAUGE/SPARE
8	8"	PRIMARY TANK EMERGENCY VENT
9	4"	SPARE
10	2"	RETURN
11	2"	SUPPLY
12	LARGE	LIFTING LUG
13	8"	SECONDARY CONTAINMENT EMERGENCY VENT
14	2"	SECONDARY MONITOR PORT
15	2"	SECONDARY WORKING VENT

**TANK SPECIFICATIONS**  
**VENTING CAPACITY: PRIMARY TANK - 354,000 CUBIC FEET PER HOUR**  
**SECONDARY TANK - 354,000 CUBIC FEET PER HOUR**  
**MATERIAL: PRIMARY TANK - 1/4" THICK**  
**SECONDARY TANK - 3/16" THICK**



PRODUCT CODE	GALLONS	DESCRIPTION	OVERALL SIZE	SHIP WT.
GCAA105MDS001	5,000	UL-142 DOUBLE WALL GEN CUBE TANK W/SPILLBOX	17'-1" L X 8'-0" W X 6'-1" H	10,150 LBS.



THIS DRAWING AND DESIGN SHOWN HEREIN IS THE PROPERTY OF CONTAINMENT SOLUTIONS. USE OR COPIES THEREOF CANNOT BE MADE WITHOUT WRITTEN CONSENT.

CUSTOMER NAME: \_\_\_\_\_  
**APPROVED** BY: \_\_\_\_\_ DATE: \_\_\_\_\_

DRAWN BY: D. ROVANG DATE DRAWN: 01-01-14  
 DWG NUMBER: 5104013 SCALE: 1:50  
 REV: \_\_\_\_\_ REV BY: \_\_\_\_\_ DATE: \_\_\_\_\_ SHEET: 1 OF 1