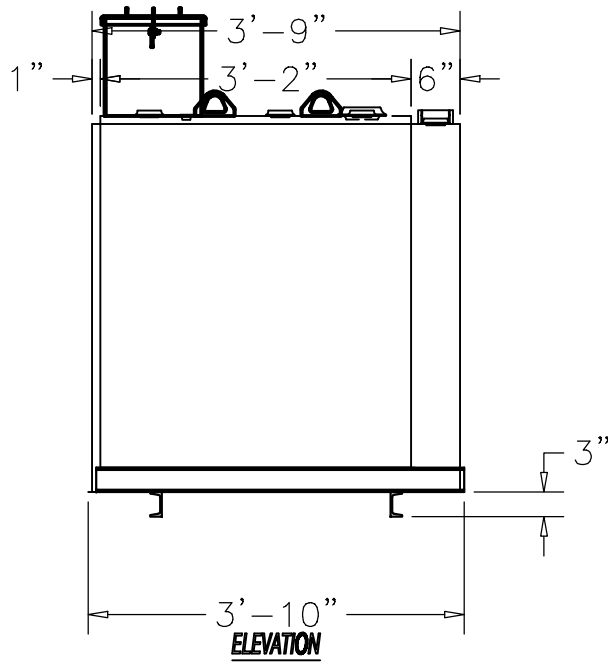
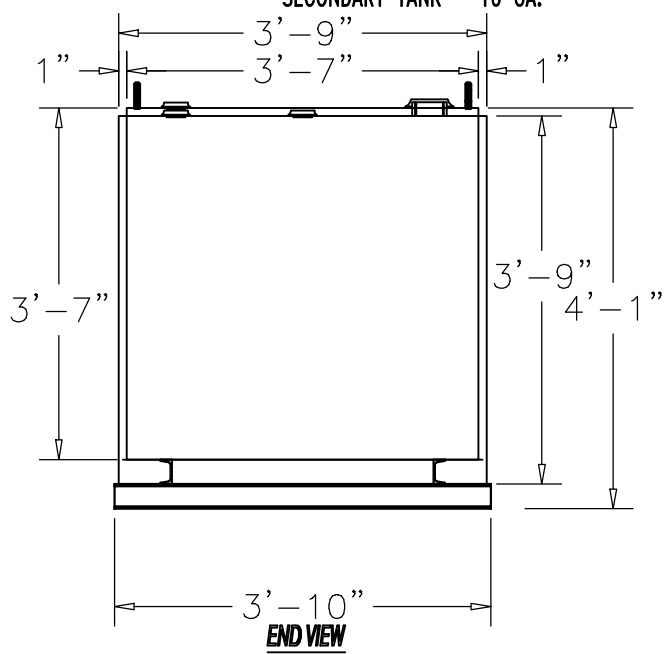


**TOP VIEW**



**ELEVATION**



**END VIEW**

ITEM	SIZE	SUGGESTED FUNCTION
1	2"	SPARE
2	2"	FILL
3	1/2"	DRAIN FOR SPILLBOX
4	7 GAL.	SPILLBOX, DWG."SBB002"
5	2"	PRIMARY TANK WORKING VENT
6	2"	MECHANICAL GAUGE/SPARE
7	4"	PRIMARY TANK EMERGENCY VENT
8	2"	RETURN
9	2"	SUPPLY
10	SMALL	LIFTING LUG
11	4"	SECONDARY CONTAINMENT EMERGENCY VENT
12	2"	SECONDARY MONITOR PORT
13	2"	SECONDARY WORKING VENT

**TANK SPECIFICATIONS**

VENTING CAPACITY: PRIMARY TANK - 63,200 CUBIC FEET PER HOUR  
SECONDARY TANK - 73,700 CUBIC FEET PER HOUR

MATERIAL: PRIMARY TANK - 10 GA.  
SECONDARY TANK - 10 GA.

PRODUCT CODE	GALLONS	DESCRIPTION	OVERALL SIZE	SHIP WT.
GCAA1300DS001	300	UL-142 DOUBLE WALL GEN CUBE TANK W/SPILLBOX	3'-10" L X 3'-10" W X 4'-1" H	975 LBS.

THIS DRAWING AND DESIGN SHOWN HEREIN IS THE PROPERTY OF CONTAINMENT SOLUTIONS. USE OR COPIES THEREOF CANNOT BE MADE WITHOUT WRITTEN CONSENT.

CUSTOMER NAME: \_\_\_\_\_  
**APPROVED** BY: \_\_\_\_\_ DATE: \_\_\_\_\_

**CONTAINMENT SOLUTIONS®**

DRAWN BY: D. ROVANG      DATE DRAWN: 01-01-17  
 DWG NUMBER: 5107540      SCALE: 1:24  
 REV:      REV BY:      DATE:      SHEET: 1 OF 1