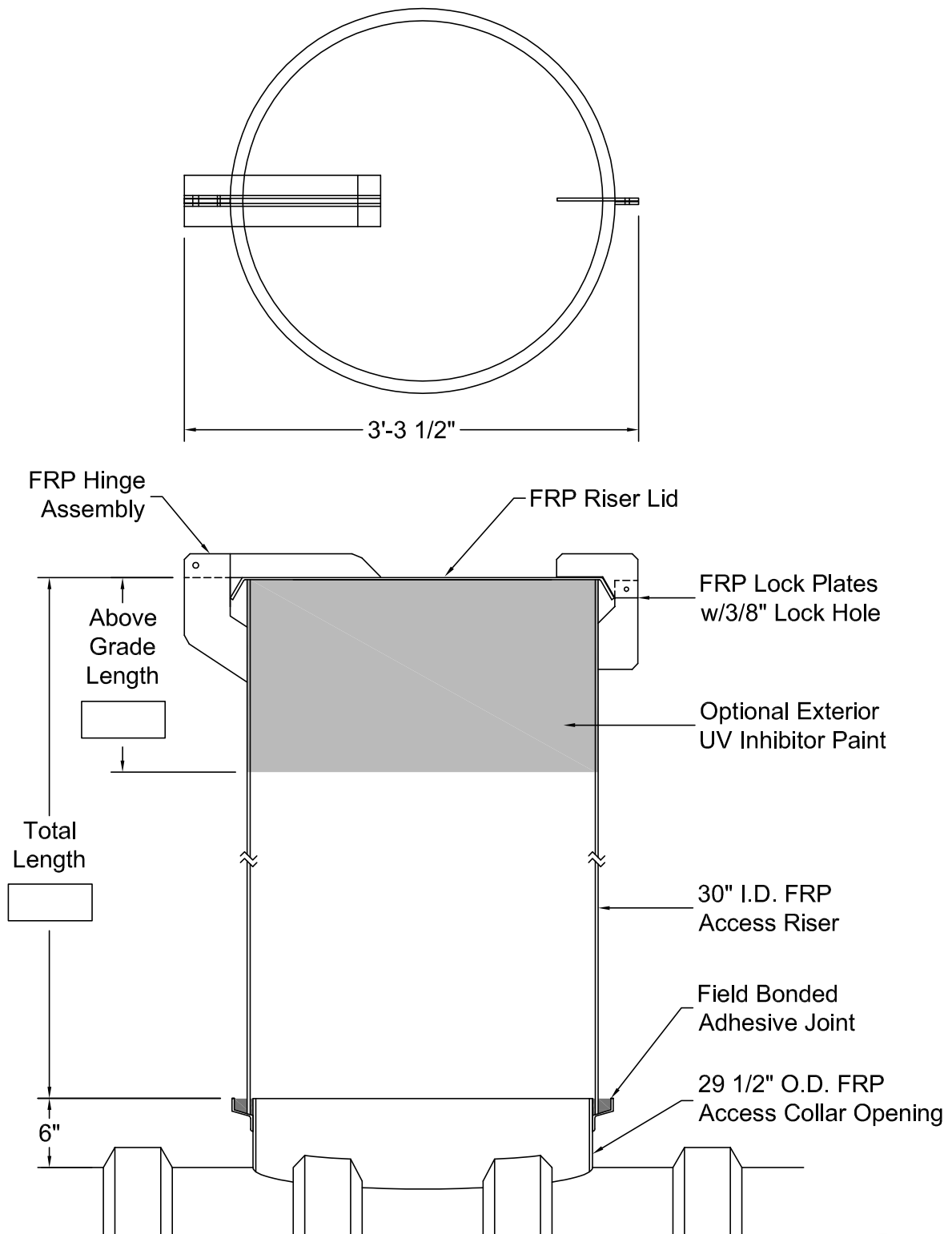


# 30" Fiberglass Locking Lid on Access Collar

(Water Resistant Design)



Fiberglass Locklids are load rated up to 250 lbs.



**CONTAINMENT**  
SOLUTIONS®