

**NOTE:**

OVERALL SHIPPING DIMENSION: 20'-5" L X 5'-0" W X 5'-4" H

ITEM	SIZE	SUGGESTED FUNCTION
1	4"	SPARE
2	6"	FILL
3	3"	PRIMARY TANK WORKING VENT
4	2"	MECHANICAL GAUGE/SPARE
5	8"	PRIMARY TANK EMERGENCY VENT
6	2"	SPARE
7	SMALL	LIFTING LUG
8	8"	SECONDARY CONTAINMENT EMERGENCY VENT
9	2"	SECONDARY MONITOR PORT
10	2"	SECONDARY WORKING VENT

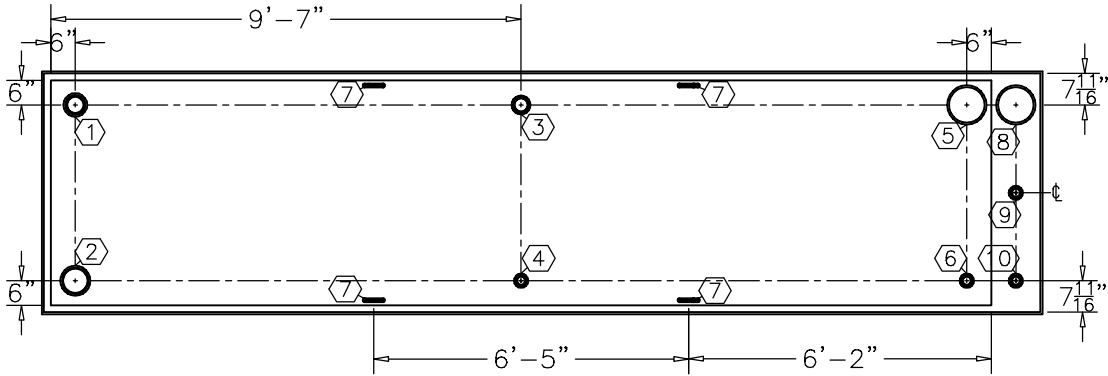
**TANK SPECIFICATIONS**

VENTING CAPACITY: PRIMARY TANK - 288,000 CUBIC FEET PER HOUR

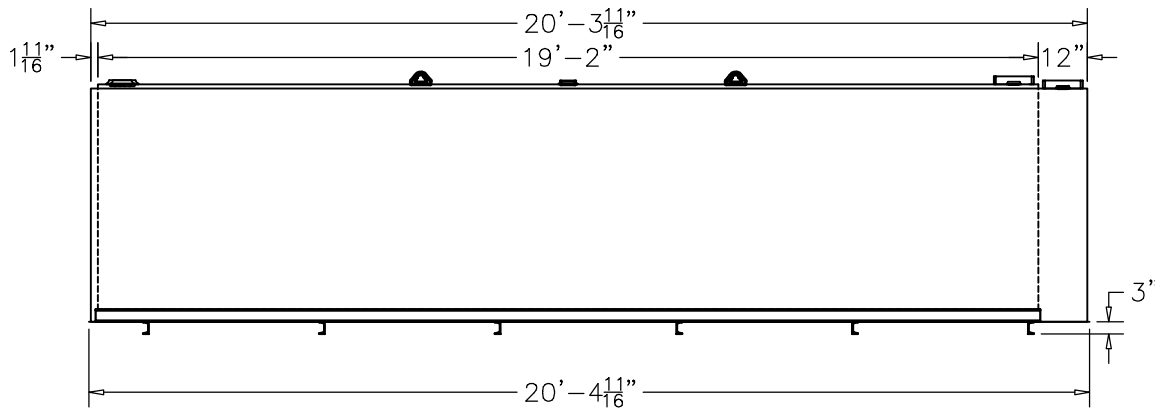
SECONDARY TANK - 288,000 CUBIC FEET PER HOUR

MATERIAL: PRIMARY TANK - 3/16"

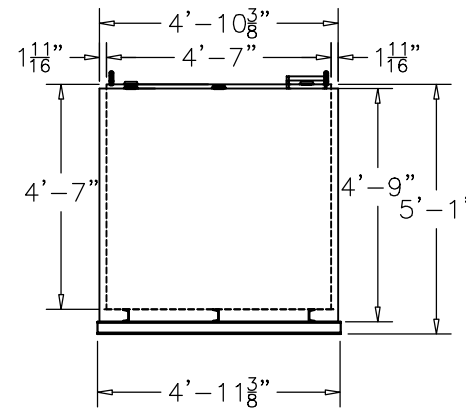
SECONDARY TANK - 3/16"



**TOP VIEW**



**ELEVATION**



**END VIEW**

PRODUCT CODE	GALLONS	DESCRIPTION	OVERALL SIZE	SHIP WT.
LCAA103MDS000	3,000	UL-142 DOUBLE WALL LUBE CUBE TANK	20'-5" L X 5'-0" W X 5'-1" H	6,650 LBS.



THIS DRAWING AND DESIGN SHOWN HEREIN IS THE PROPERTY OF CONTAINMENT SOLUTIONS. USE OR COPIES THEREOF CANNOT BE MADE WITHOUT WRITTEN CONSENT.

CUSTOMER NAME: \_\_\_\_\_

**APPROVED** BY: \_\_\_\_\_ DATE: \_\_\_\_\_

DRAWN BY: D. ROVANG	DATE DRAWN: 01-01-14
DWG NUMBER: 5100104	SCALE: 1:48
REV: _____	REV BY: _____
DATE: _____	SHEET: 1 OF 1